

TUBTARA®

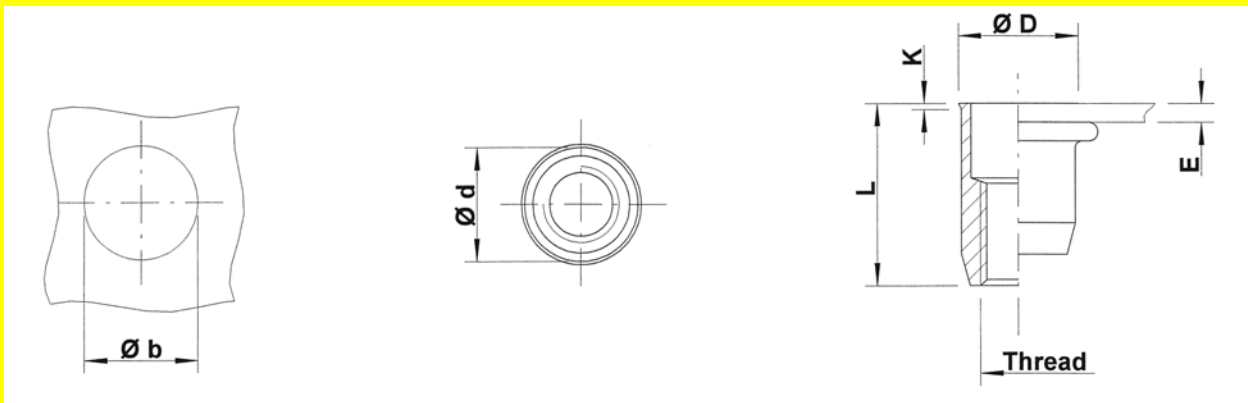
Stainless Steel 304

Low profile head
Round shank
Open end

UKO
UNIFIED THREAD



Stainless Steel 304



| THREAD | TYPE | E = grip | L | b ^{+0,1} = drill dia | d = shank dia | D | K | kg/1000 | ORDER CODE | BOX Q |
|----------------|-------|-------------|------|-------------------------------------|---------------------|------|-----|---------|---------------|----------|
| 10-32 UNF | UKO30 | 0,5-3,0 | 12,0 | 7,0 | 7,0 | 7,5 | 0,5 | 1,5 | 549 500 | 5000 |
| 1/4-20 UNC | UKO30 | 0,5-3,0 | 14,5 | 9,0 | 9,0 | 9,5 | 0,5 | 3,4 | 547 660 | 3000 |
| 5/16-18 UNC | UKO30 | 0,5-3,0 | 16,0 | 11,0 | 11,0 | 11,5 | 0,5 | 5,0 | 547 830 | 2000 |

All dimensions in mm

| THREAD | TYPE | E = grip | L | b ^{+0,004} = drill dia | d = shank dia | D | K | lbs/1000 | ORDER CODE | BOX Q |
|----------------|-------|-------------|-------|---------------------------------------|---------------------|-------|------|----------|---------------|----------|
| 10-32 UNF | UKO30 | .020-.118 | 0.472 | 0.276 | 0.276 | 0.295 | .020 | 3.30 | 549 500 | 5000 |
| 1/4-20 UNC | UKO30 | .020-.118 | 0.571 | 0.354 | 0.354 | 0.374 | .020 | 7.49 | 547 660 | 3000 |
| 5/16-18 UNC | UKO30 | .020-.118 | 0.630 | 0.433 | 0.433 | 0.453 | .020 | 11.00 | 547 830 | 2000 |

All dimensions in inches

Technical data subject to modification

