

TUBTARA®

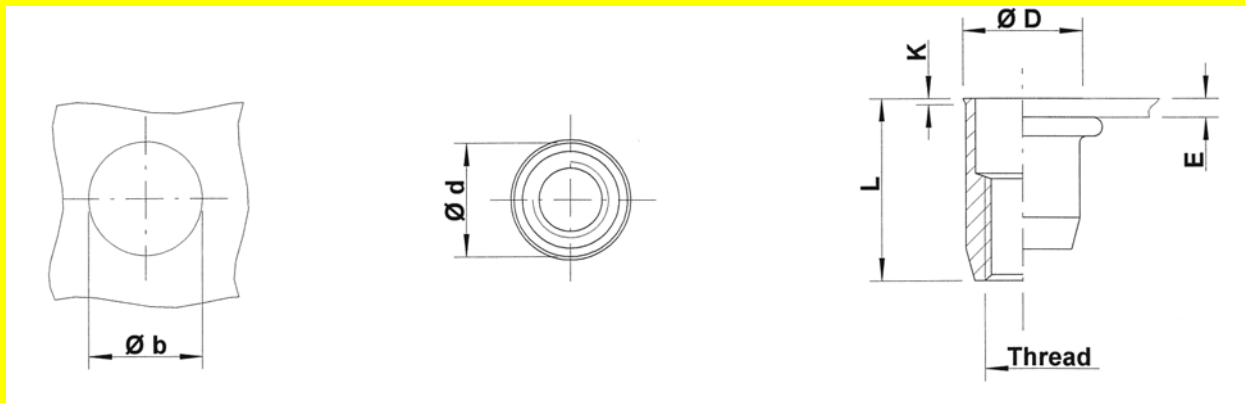


Stainless Steel 304

Low profile head
Round shank
Open end

UKO / SKO

Stainless Steel 304



THREAD	TYPE	E = grip	L	$b^{+0,1}$ = drill dia	d = shank dia	D	K	kg/1000	ORDER CODE	BOX Q
M4	UKO20	0,5-2,0	11,0	6,0	6,0	6,5	0,5	1,1	544 220	10000
M5	UKO30	0,5-3,0	12,0	7,0	7,0	7,5	0,5	1,5	545 400	5000
M6	UKO30	0,5-3,0	14,5	9,0	9,0	9,5	0,5	3,4	546 400	3000
M8	UKO30	0,5-3,0	16,0	11,0	11,0	11,5	0,5	5,0	548 160	2000
	UKO55	3,0-5,5	18,5						548 180	1500
M10	SKO35	0,8-3,5	21,0	13,0	13,0	13,5	0,5	8,5	540 620	1000

All dimensions in mm
Technical data subject to modification

