

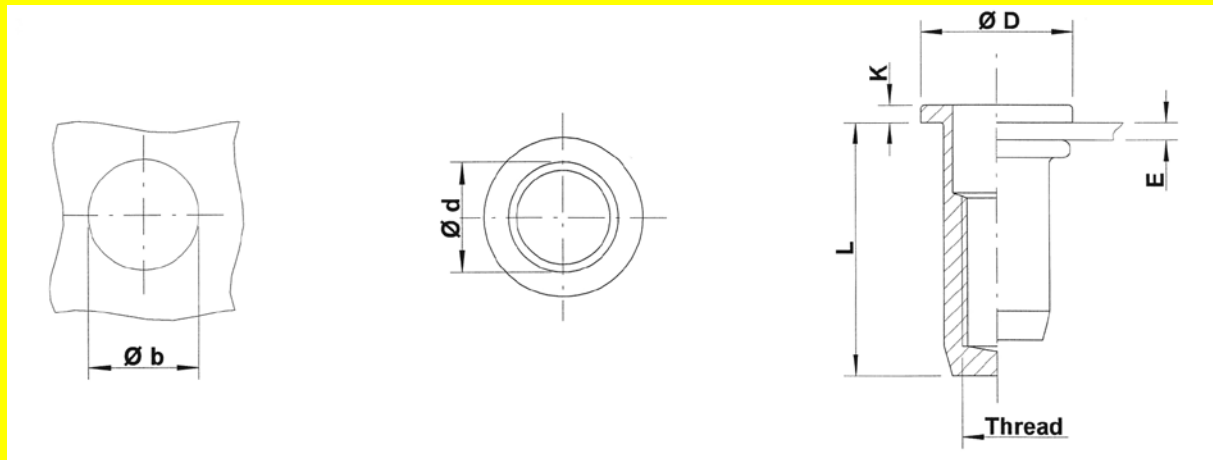
TUBTARA®

Steel

Flat head
Round shank
Closed end

Zinktop, Cr^{VI}- free (A)
Zinc plated, yellow passivated (B)

UPX



Steel

THREAD	TYPE	E = grip	L	$b^{+0,1}$ = drill dia	d = shank dia	D	K	kg/1000	ORDER CODE (A)	ORDER CODE (B)	BOX Q
M4	UPX30	0,5-3,0	14,75	6,0	6,0	10,0	0,75	2,1	524 189	524 180	5000
	UPX45	3,0-4,5	16,25	6,0	6,0	10,0	0,75	2,1	524 229*	524 220*	4000
M5	UPX30	0,5-3,0	18,0	7,0	7,0	11,0	1,0	3,4	525 169	525 160	2500
	UPX55	3,0-5,5	20,5	7,0	7,0	11,0	1,0	3,6	525 189*	525 180*	2500
M6	UPX30	0,5-3,0	21,5	9,0	9,0	13,0	1,5	6,8	526 169	526 160	1500
	UPX55	3,0-5,5	24,5	9,0	9,0	13,0	1,5	7,5	526 209	526 200	1250
M8	UPX30	0,5-3,0	22,5	11,0	11,0	16,0	1,5	9,7	528 189	528 180	1000
	UPX55	3,0-5,5	25,5	11,0	11,0	16,0	1,5	10,9	528 209	528 200	750

* **Non-stock item:** minimum order quantity required after depletion of stock

All dimensions in mm

Technical data subject to modification

