

Parker Legris connectic

products are available from

MARYLAND METRICS

P.O. Box 261 Owings Mills, MD 21117 USA

ph: (410)358-3130 (800)638-1830

fx: (410)358-3142 (800)872-9329

email: sales@mdmetric.com web: <http://mdmetric.com>

RFQ form: <http://mdmetric.com/rfq.htm>

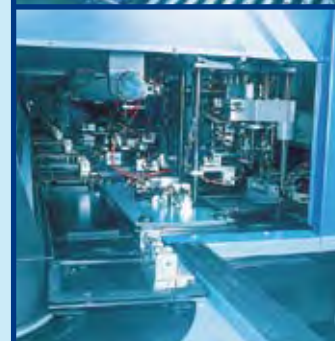


Metal quick exhaust valves



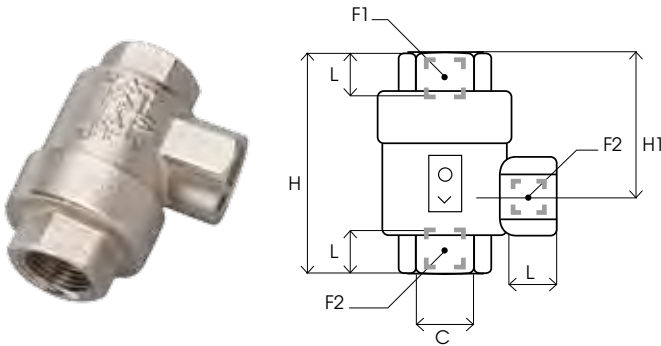
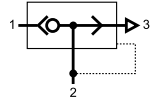
Improve the efficiency of your pneumatic circuits

- **Reduced cycle times**
 - Increase in cylinder rod displacement speed, allowing direct exhaust of compressed air.
- **Compact products, easy to install**
 - 2 models of exhaust valves (elbow and in-line) to suit individual applications.
 - Can be used in small spaces.
 - Optimized assembly time.
- **Technical performance suited to each need**
 - High exhaust capability.
 - Integral silencer on some models.
 - Robust and lightweight materials.
- **A comprehensive range to meet each requirement :**
3 versions available :
 - Threaded elbow quick exhaust valve.
 - In-line threaded quick exhaust valve with integral silencer.
 - In-line quick exhaust valve with push-in connection and integral silencer.



Technical specifications

▶ 7970 elbow quick exhaust valve, female BSP parallel thread



C		F1 (mm)	F2 (mm)	H (mm)	H1 (mm)	L (mm)
M5	7970 19 19	10	10	24,8	15,6	4
G1/8	7970 10 10	14	14	42	28	8
G1/4	7970 13 13	19	19	53	34,5	11
G3/8	7970 17 17	21	21	58	36	12
G1/2	7970 21 21	26	26	71	44	14
G3/4	7970 27 27	32	32	86	52	18
G1"	7970 34 34	38	38	94	56	19

NB: a NPT version is also available (part number 7982)

Working conditions :

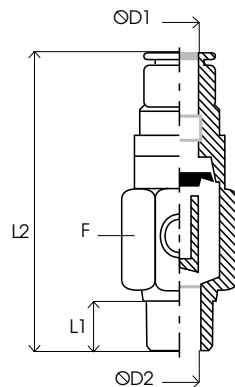
- Compatible fluid: compressed air
- Working pressure: 0.7 to 10 bar
- Working temperature: from -20°C to +70°C

Constituent materials :

- Body: nickel-plated brass
- Seals: polyurethane elastomer from 1/8 to 1", NBR for M5

▶ 7971 in-line quick exhaust valve with threaded connection, male BSP taper/ female BSP parallel

▶ 7972 in-line quick exhaust valve with threaded connection, male BSP taper / female push-in connection



ØD1	ØD2		F (mm)	L1 (mm)	L2 (mm)
G1/4	R 1/4	7971 13 13	18	11	49
G3/8	R 3/8	7971 17 17	27	11,5	56
G1/2	R 1/2	7971 21 21	34	14	70
8	R 1/4	7972 08 13	18	11	51
10	R 3/8	7972 10 17	27	11,5	63
12	R 1/2	7972 12 21	34	14	73

NB: NPT versions are also available (part numbers 7973 and 7972).

Working conditions :

- Compatible fluids: filtered and lubricated compressed air
- Working pressure: 2 to 10 bar
- Working temperature: from -10°C to +70°C

Constituent materials :

- Body: anodised aluminium
- V ring: polyurethane elastomer

▶ Accessories for elbow quick exhaust valves

Silencers	Adaptors
0670 0673 0677 • BSP parallel	0675 0674 • Metric and BSP parallel
	0151 • straight male orientable, brass body with bi-material seal 0121 • BSP taper

Legris Connectic offers a comprehensive range of pneumatic function fittings, please consult our general catalogue or visit :

MARYLAND METRICS email: sales@mdmetric.com web: <http://mdmetric.com> RFQ form: <http://mdmetric.com/rfq.htm>