



Setting Standards

# OEM Enclosures – PC or ABS

## Series 13 with Plain Sides and Flange Knockouts

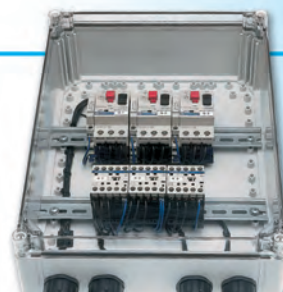
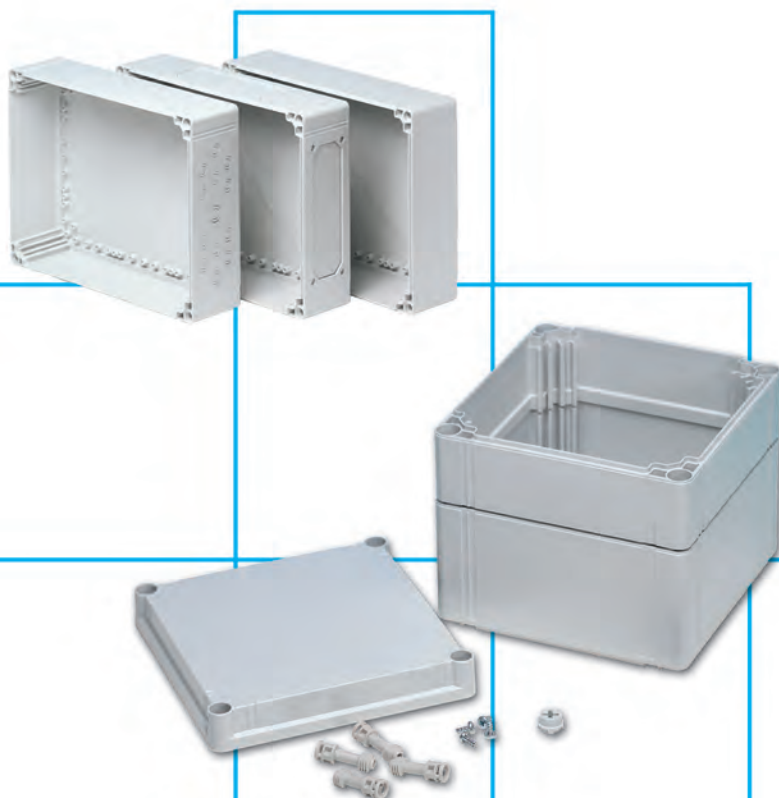
Manufactured from high performance Thermoplastic, Polycarbonate, or ABS. These enclosures are suitable for demanding OEM applications, e.g. for the protection of electronic and pneumatic components.

This series with plain sidewalls is also available with flange and metric knockouts.

Enclosure dimensions vary in 100 mm increments, the smallest being 200 x 200 x 132 mm, the largest 400 x 600 mm with a depth of 187 mm. By adding an extension frame, depth can be increased in increments of 55 mm.

A special feature is the adjustable height for the mounting plate, made possible by a slotted guide in each inside corner of the enclosure.

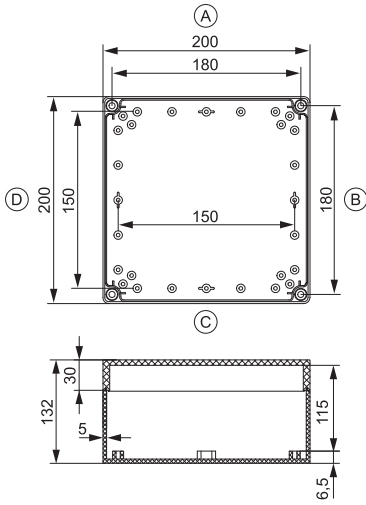
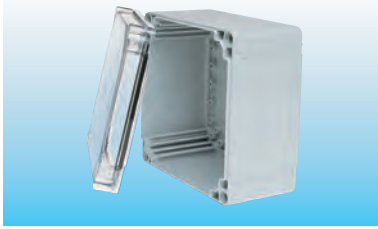
Conformity	
Polycarbonate Enclosure:	
ABS-Enclosure:	
Technical Information	
Protection according to EN 60529	IP 66 / 67
Impact rating according to EN 62262	PC: IK 08 (+35°C...-25°C) ABS: IK 08 (+35°C) IK 07 (-25°C)
Temperature range	PC: -50°C...+100°C ABS: -40°C...+60°C
Flammability	PC: UL746C 5V ABS: UL94 HB
Material	
Bottom	ABS or Fiber reinforced Polycarbonate
Cover	ABS or Polycarbonate
Transparent cover	Polycarbonate
Cover Screws	Fiber reinforced Polyamid
Gasket	PUR (Polyurethane)
Standard color	
Bottom	Grey, RAL 7035
Cover	Grey, RAL 7035 or transparent





## Large Enclosures made of Polycarbonate or ABS

### 200 x 200 x 132 mm



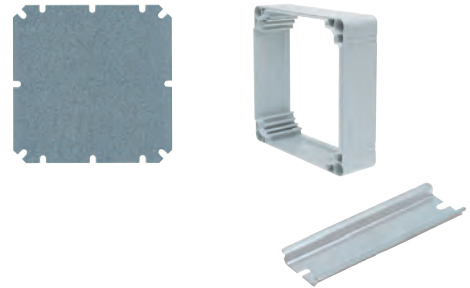
Polycarbonate	Part Number
Grey cover, plain sides	3.130.0844.13
Grey cover Flange knockouts, A, B, C, D: 1 x F1	3.130.0721.20
Transp. cover*, plain sides	3.130.0843.45
Transp. cover* Flange knockouts, A, B, C, D: 1 x F1	3.130.0721.99

ABS	Part Number
Grey cover, plain sides	3.130.0845.50
Transp. cover*, plain sides	3.130.0844.82

Assembly and machining services of your enclosures are available upon request.  
 Drawings with additional dimensions can be furnished upon request.

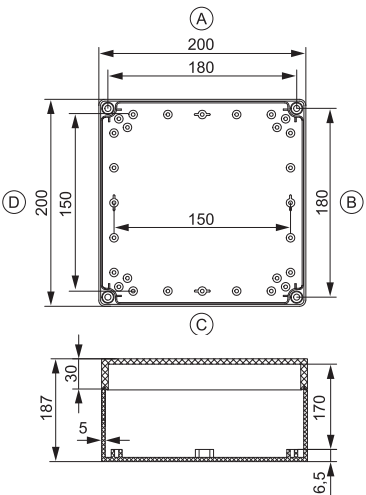
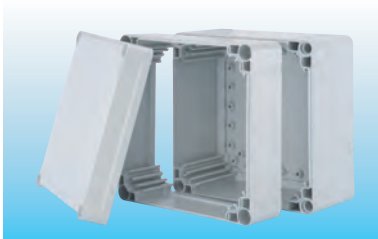
Cover screws and assembly screws are included.  
 \*Transparent cover always out of Polycarbonate

Accessories	Part Number
Mounting plate, 1,5 mm thick, galvanized steel	3.130.0646.75
DIN Rail, DIN 35	3.130.0647.43
Extension frame for an additional 55 mm depth	3.130.0646.06



Additional accessories on page 48.  
 Flange accessories on page 50.

### 200 x 200 x 187 mm



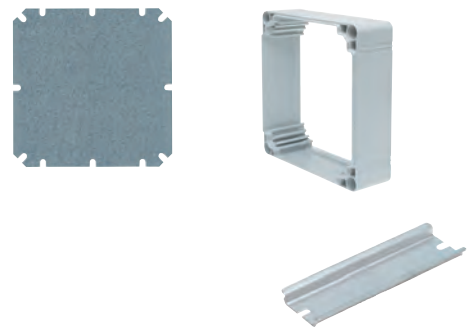
Polycarbonate	Part Number
Grey cover, plain sides	3.130.0846.28
Grey cover Flange knockouts, A, B, C, D: 1 x F1	3.130.0821.67
Transp. cover*, plain sides	3.130.0846.97
Transp. cover* Flange knockouts, A, B, C, D: 1 x F1	3.130.0822.35

ABS	Part Number
Grey cover, plain sides	3.130.0847.65
Transp. cover*, plain sides	3.130.0848.33

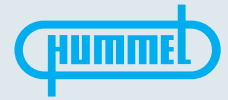
Assembly and machining services of your enclosures are available upon request.  
 Drawings with additional dimensions can be furnished upon request.

This type Enclosure includes Extension Frame  
 Cover screws and assembly screws are included.  
 \*Transparent cover always out of Polycarbonate

Accessories	Part Number
Mounting plate, 1,5 mm thick, galvanized steel	3.130.0646.75
DIN Rail, DIN 35	3.130.0647.43
Extension frame for an additional 55 mm depth	3.130.0646.06

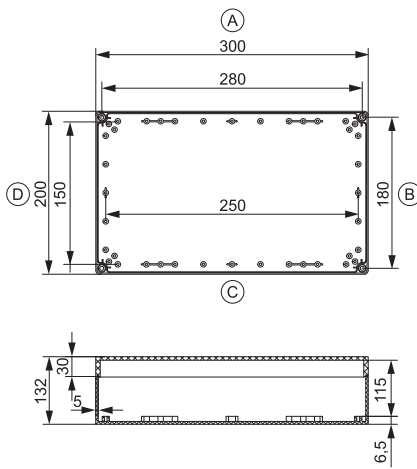
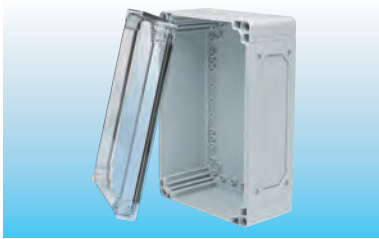


Additional accessories on page 48.  
 Flange accessories on page 50.



## Large Enclosures made of Polycarbonate or ABS

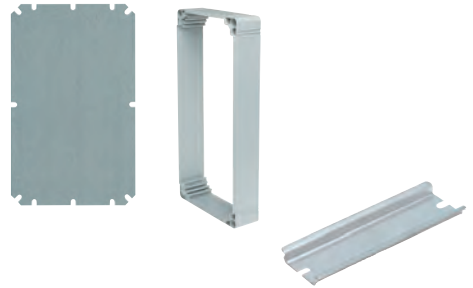
### 200 x 300 x 132 mm



Polycarbonate	Part Number
Grey cover, plain sides	3.130.0844.20
Grey cover Flange knockouts, A, C: 1 x F2; B, D: 1 x F1	3.130.0721.37
Transp. cover*, plain sides	3.130.0843.52
Transp. cover* Flange knockouts, A, C: 1 x F2; B, D: 1 x F1	3.130.0722.05

Accessories	Part Number
Mounting plate, 1,5 mm thick, galvanized steel	3.130.0646.82
DIN Rail, DIN 35, short side	3.130.0647.43
DIN Rail, DIN 35, long side	3.130.0647.50
Extension frame for an additional 55 mm depth	3.130.0646.13

ABS	Part Number
Grey cover, plain sides	3.130.0845.67
Transp. cover*, plain sides	3.130.0844.99

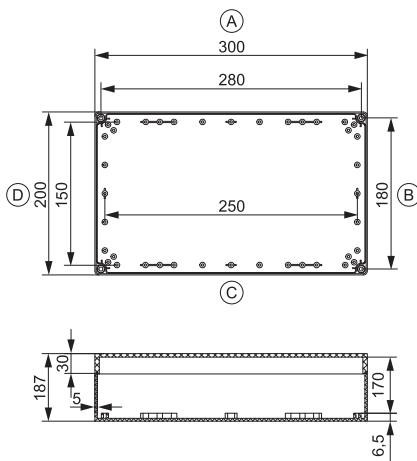


Assembly and machining services of your enclosures are available upon request.  
Drawings with additional dimensions can be furnished upon request.

Cover screws and assembly screws are included.  
\*Transparent cover always out of Polycarbonate

Additional accessories on page 48.  
Flange accessories on page 50.

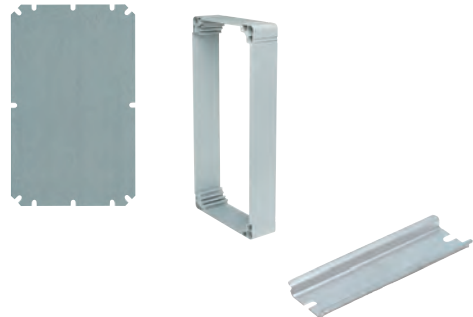
### 200 x 300 x 187 mm



Polycarbonate	Part Number
Grey cover, plain sides	3.130.0846.35
Grey cover Flange knockouts, A, C: 1 x F2; B, D: 1 x F1	3.130.0821.74
Transp. cover*, plain sides	3.130.0847.03
Transp. cover* Flange knockouts, A, C: 1 x F2; B, D: 1 x F1	3.130.0822.42

Accessories	Part Number
Mounting plate, 1,5 mm thick, galvanized steel	3.130.0646.82
DIN Rail, DIN 35, short side	3.130.0647.43
DIN Rail, DIN 35, long side	3.130.0647.50
Extension frame for an additional 55 mm depth	3.130.0646.13

ABS	Part Number
Grey cover, plain sides	3.130.0847.72
Transp. cover*, plain sides	3.130.0848.40



Assembly and machining services of your enclosures are available upon request.  
Drawings with additional dimensions can be furnished upon request.

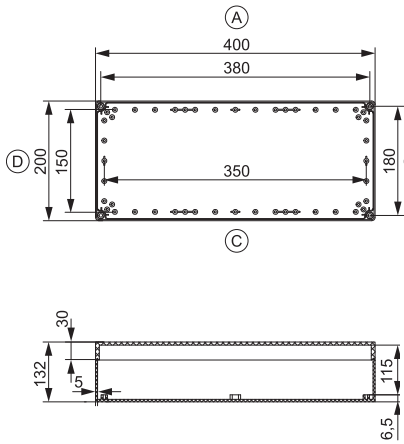
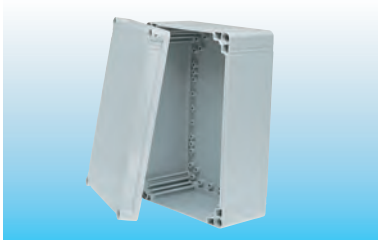
This type Enclosure includes Extension Frame  
Cover screws and assembly screws are included.  
\*Transparent cover always out of Polycarbonate

Additional accessories on page 48.  
Flange accessories on page 50.



## Large Enclosures made of Polycarbonate or ABS

### 200 x 400 x 132 mm



Polycarbonate	Part Number
Grey cover, plain sides	3.130.0844.37
Grey cover Flange knockouts, A, C: 1 x F2; B, D: 1 x F1	3.130.0721.44
Transp. cover*, plain sides	3.130.0843.69
Transp. cover* Flange knockouts, A, C: 1 x F2; B, D: 1 x F1	3.130.0722.12

ABS	Part Number
Grey cover, plain sides	3.130.0845.74
Transp. cover*, plain sides	3.130.0845.05

Assembly and machining services of your enclosures are available upon request.  
Drawings with additional dimensions can be furnished upon request.

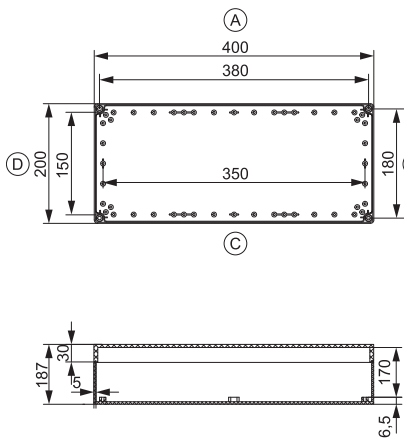
Cover screws and assembly screws are included.  
\*Transparent cover always out of Polycarbonate

Accessories	Part Number
Mounting plate, 1,5 mm thick, galvanized steel	3.130.0646.99
DIN Rail, DIN 35, short side	3.130.0647.43
DIN Rail, DIN 35, long side	3.130.0647.67
Extension frame for an additional 55 mm depth	3.130.0646.20



Additional accessories on page 48.  
Flange accessories on page 50.

### 200 x 400 x 187 mm



Polycarbonate	Part Number
Grey cover, plain sides	3.130.0846.42
Grey cover Flange knockouts, A, C: 1 x F2; B, D: 1 x F1	3.130.0821.81
Transp. cover*, plain sides	3.130.0847.10
Transp. cover* Flange knockouts, A, C: 1 x F2; B, D: 1 x F1	3.130.0822.59

ABS	Part Number
Grey cover, plain sides	3.130.0847.89
Transp. cover*, plain sides	3.130.0848.57

Assembly and machining services of your enclosures are available upon request.  
Drawings with additional dimensions can be furnished upon request.

This type Enclosure includes Extension Frame  
Cover screws and assembly screws are included.  
\*Transparent cover always out of Polycarbonate

Accessories	Part Number
Mounting plate, 1,5 mm thick, galvanized steel	3.130.0646.99
DIN Rail, DIN 35, short side	3.130.0647.43
DIN Rail, DIN 35, long side	3.130.0647.67
Extension frame for an additional 55 mm depth	3.130.0646.20

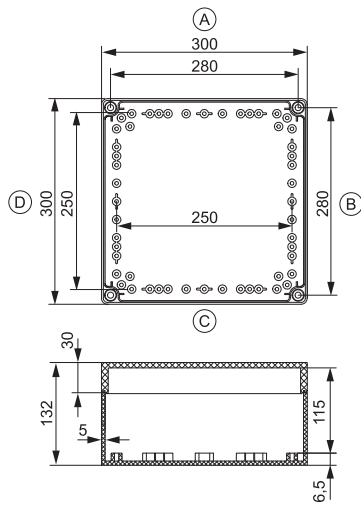
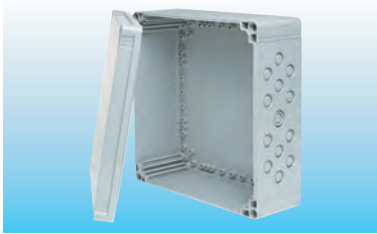


Additional accessories on page 48.  
Flange accessories on page 50.



## Large Enclosures made of Polycarbonate or ABS

### 300 x 300 x 132 mm



Polycarbonate	Part Number
Grey cover, plain sides	3.130.0844.44
Grey cover, metric knockouts, B: 12 x ø20 mm + 1 x ø16 mm / 25 mm D: 8 x ø20 mm + 4 x ø25 mm / 40 mm	3.130.0578.99
Grey cover Flange knockouts, A, B, C, D: 1 x F2	3.130.0721.51
Transp. cover*, plain sides	3.130.0843.76
Transp. cover*, metric knockouts, B: 12 x ø20 mm + 1 x ø16 mm / 25 mm D: 8 x ø20 mm + 4 x ø25 mm / 40 mm	3.130.0579.29
Transp. cover* Flange knockouts, A, B, C, D: 1 x F2	3.130.0722.29

Accessories	Part Number
Mounting plate, 1,5 mm thick, galvanized steel	3.130.0647.05
DIN Rail, DIN 35	3.130.0647.50
Extension frame for an additional 55 mm depth	3.130.0646.37

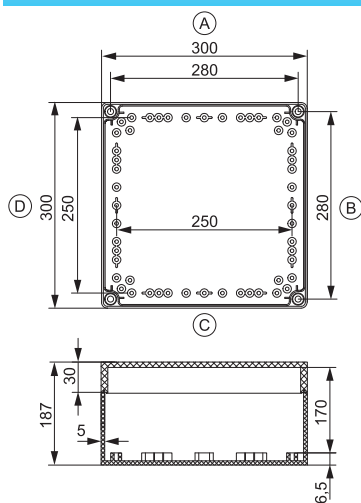
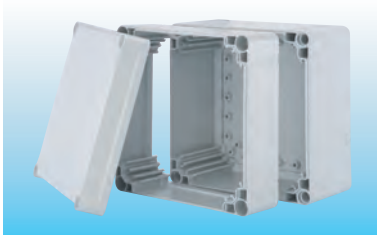


ABS	Part Number
Grey cover, plain sides	3.130.0845.81
Transp. cover*, plain sides	3.130.0845.12

Assembly and machining services of your enclosures are available upon request.  
Drawings with additional dimensions can be furnished upon request.  
Cover screws and assembly screws are included.  
\*Transparent cover always out of Polycarbonate

Additional accessories on page 48.  
Flange accessories on page 50.

### 300 x 300 x 187 mm



Polycarbonate	Part Number
Grey cover, plain sides	3.130.0846.59
Grey cover, metric knockouts, B: 12 x ø20 mm + 1 x ø16 mm / 25 mm D: 8 x ø20 mm + 4 x ø25 mm / 40 mm	3.130.0579.50
Grey cover Flange knockouts, A, B, C, D: 1 x F2	3.130.0821.98
Transp. cover*, plain sides	3.130.0847.27
Transp. cover*, metric knockouts, B: 12 x ø20 mm + 1 x ø16 mm / 25 mm D: 8 x ø20 mm + 4 x ø25 mm / 40 mm	3.130.0579.81
Transp. cover* Flange knockouts, A, B, C, D: 1 x F2	3.130.0822.66

Accessories	Part Number
Mounting plate, 1,5 mm thick, galvanized steel	3.130.0647.05
DIN Rail, DIN 35	3.130.0647.50
Extension frame for an additional 55 mm depth	3.130.0646.37



ABS	Part Number
Grey cover, plain sides	3.130.0847.96
Transp. cover*, plain sides	3.130.0848.64

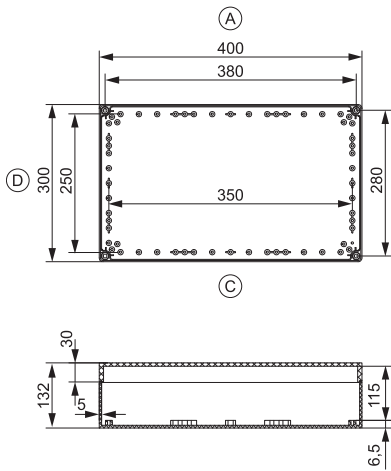
Assembly and machining services of your enclosures are available upon request.  
Drawings with additional dimensions can be furnished upon request.  
This type Enclosure includes Extension Frame  
Cover screws and assembly screws are included.  
\*Transparent cover always out of Polycarbonate

Additional accessories on page 48.  
Flange accessories on page 50.



## Large Enclosures made of Polycarbonate or ABS

### 300 x 400 x 132 mm



Polycarbonate	Part Number
Grey cover, plain sides	3.130.0844.51
Grey cover, metric knockouts, B: 12 x ø 12 mm / 20 mm + 1 x ø 32 mm / 40 mm D: 8 x ø 12 mm / 20 mm + 5 x ø 16 mm / 25 mm	3.130.0579.05
Grey cover Flange knockouts, A, B, C, D: 1 x F2	3.130.0721.68
Transp. cover*, plain sides	3.130.0843.83
Transp. cover*, metric knockouts, B: 12 x ø 12 mm / 20 mm + 1 x ø 32 mm / 40 mm D: 8 x ø 12 mm / 20 mm + 5 x ø 16 mm / 25 mm	3.130.0579.36
Transp. cover* Flange knockouts, A, B, C, D: 1 x F2	3.130.0722.36

ABS	Part Number
Grey cover, plain sides	3.130.0845.98
Transp. cover*, plain sides	3.130.0845.29

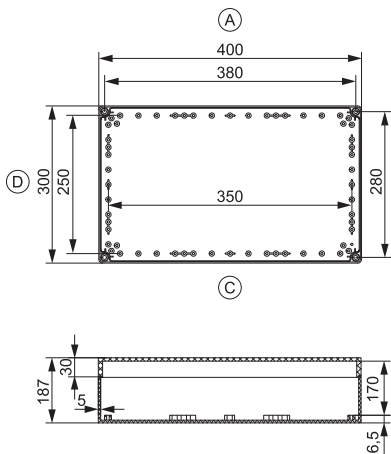
Assembly and machining services of your enclosures are available upon request.  
Drawings with additional dimensions can be furnished upon request.  
Cover screws and assembly screws are included.  
\*Transparent cover always out of Polycarbonate

Accessories	Part Number
Mounting plate, 1,5 mm thick, galvanized steel	3.130.0647.12
DIN Rail, DIN 35, short side	3.130.0647.50
DIN Rail, DIN 35, long side	3.130.0647.67
Extension frame for an additional 55 mm depth	3.130.0646.44



Additional accessories on page 48.  
Flange accessories on page 50.

### 300 x 400 x 187 mm



Polycarbonate	Part Number
Grey cover, plain sides	3.130.0846.66
Grey cover, metric knockouts, B: 12 x ø 12 mm / 20 mm + 1 x ø 32 mm / 40 mm D: 8 x ø 12 mm / 20 mm + 5 x ø 16 mm / 25 mm	3.130.0579.67
Grey cover Flange knockouts, A, B, C, D: 1 x F2	3.130.0822.04
Transp. cover*, plain sides	3.130.0847.34
Transp. cover*, metric knockouts, B: 12 x ø 12 mm / 20 mm + 1 x ø 32 mm / 40 mm D: 8 x ø 12 mm / 20 mm + 5 x ø 16 mm / 25 mm	3.130.0579.98
Transp. cover* Flange knockouts, A, B, C, D: je 1 x F2	3.130.0822.73

ABS	Part Number
Grey cover, plain sides	3.130.0848.02
Transp. cover*, plain sides	3.130.0848.71

Assembly and machining services of your enclosures are available upon request.  
Drawings with additional dimensions can be furnished upon request.  
This type Enclosure includes Extension Frame  
Cover screws and assembly screws are included.  
\*Transparent cover always out of Polycarbonate

Accessories	Part Number
Mounting plate, 1,5 mm thick, galvanized steel	3.130.0647.12
DIN Rail, DIN 35, short side	3.130.0647.50
DIN Rail, DIN 35, long side	3.130.0647.67
Extension frame for an additional 55 mm depth	3.130.0646.44

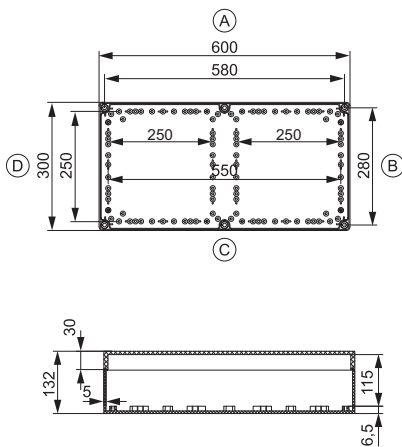
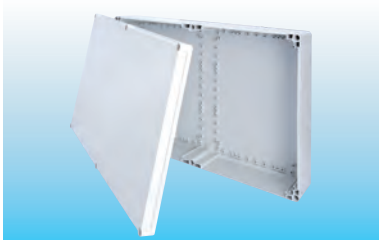


Additional accessories on page 48.  
Flange accessories on page 50.



## Large Enclosures made of Polycarbonate or ABS

### 300 x 600 x 132 mm



Polycarbonate	Part Number
Grey cover, plain sides	3.130.0844.68
Grey cover, metric knockouts, B: 12 x ø 12 mm / 20 mm + 1 x ø 32 mm / 40 mm D: 8 x ø 12 mm / 20 mm + 5 x ø 16 mm / 25 mm	3.130.0579.12
Grey cover Flange knockouts, A, C: 2 x F2; B, D: 1 x F2	3.130.0721.75
Transp. cover*, plain sides	3.130.0843.90
Transp. cover*, metric knockouts, B: 12 x ø 12 mm / 20 mm + 1 x ø 32 mm / 40 mm D: 8 x ø 12 mm / 20 mm + 5 x ø 16 mm / 25 mm	3.130.0579.43
Transp. cover* Flange knockouts, A, C: 2 x F2; B, D: 1 x F2	3.130.0722.43

ABS	Part Number
Grey cover, plain sides	3.130.0846.04
Transp. cover*, plain sides	3.130.0845.36

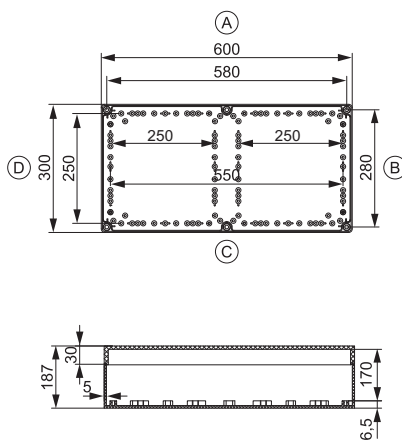
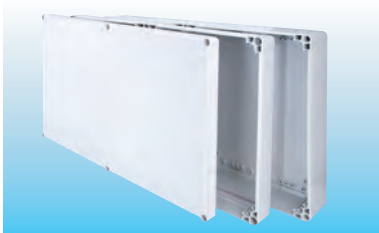
Assembly and machining services of your enclosures are available upon request.  
Drawings with additional dimensions can be furnished upon request.  
Cover screws and assembly screws are included.  
\*Transparent cover always out of Polycarbonate

Accessories	Part Number
Mounting plate, 1,5 mm thick, galvanized steel	3.130.0647.29
Mounting plate, 260x260x1,5 mm, galvanized steel	3.130.0647.05
DIN Rail, DIN 35, short side	3.130.0647.50
DIN Rail, DIN 35, 35 x 560 mm	3.130.0647.74
Extension frame for an additional 55 mm depth	3.130.0646.51



Additional accessories on page 48.  
Flange accessories on page 50.

### 300 x 600 x 187 mm



Polycarbonate	Part Number
Grey cover, plain sides	3.130.0846.73
Grey cover, metric knockouts, B: 12 x ø 12 mm / 20 mm + 1 x ø 32 mm / 40 mm D: 8 x ø 12 mm / 20 mm + 5 x ø 16 mm / 25 mm	3.130.0579.74
Grey cover Flange knockouts, A, C: 2 x F2; B, D: 1 x F2	3.130.0822.11
Transp. cover*, plain sides	3.130.0847.41
Transp. cover*, metric knockouts, B: 12 x ø 12 mm / 20 mm + 1 x ø 32 mm / 40 mm D: 8 x ø 12 mm / 20 mm + 5 x ø 16 mm / 25 mm	3.130.0580.01
Transp. cover* Flange knockouts, A, C: 2 x F2; B, D: 1 x F2	3.130.0822.80

ABS	Part Number
Grey cover, plain sides	3.130.0848.19
Transp. cover*, plain sides	3.130.0848.88

Assembly and machining services of your enclosures are available upon request.  
Drawings with additional dimensions can be furnished upon request.  
This type Enclosure includes Extension Frame  
Cover screws and assembly screws are included.  
\*Transparent cover always out of Polycarbonate

Accessories	Part Number
Mounting plate, 1,5 mm thick, galvanized steel	3.130.0647.29
Mounting plate, 260x260x1,5 mm, galvanized steel	3.130.0647.05
DIN Rail, DIN 35, short side	3.130.0647.50
DIN Rail, DIN 35, 35 x 560 mm	3.130.0647.74
Extension frame for an additional 55 mm depth	3.130.0646.51

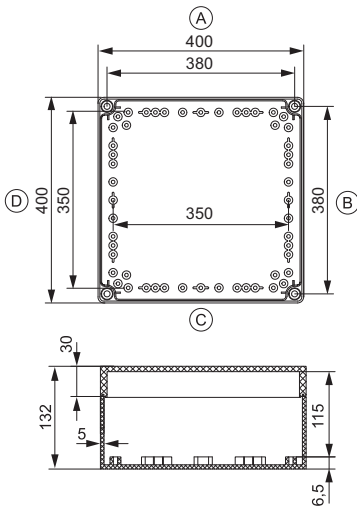


Additional accessories on page 48.  
Flange accessories on page 50.



## Large Enclosures made of Polycarbonate or ABS

### 400 x 400 x 132 mm



Polycarbonate	Part Number
Grey cover, plain sides	3.130.0844.59
Grey cover Flange knockouts, A, C: 2 x F2; B, D: 1 x F1	3.130.0721.71
Transp. cover*, plain sides	3.130.0843.87
Transp. cover* Flange knockouts, A, C: 2 x F1; B, D: 1 x F1	3.130.0722.39

ABS	Part Number
Grey cover, plain sides	3.130.0846.01
Transp. cover*, plain sides	3.130.0845.32

Assembly and machining services of your enclosures are available upon request.  
Drawings with additional dimensions can be furnished upon request.

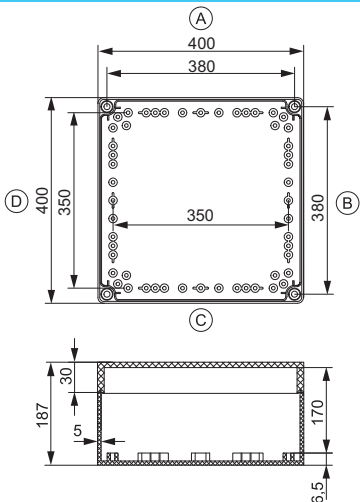
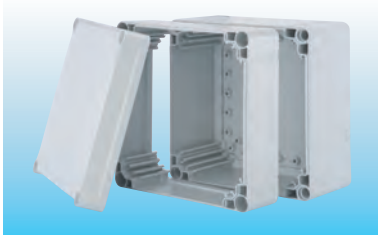
Cover screws and assembly screws are included.  
\*Transparent cover always out of Polycarbonate

Accessories	Part Number
Mounting plate, 1,5 mm thick, galvanized steel	3.130.0647.20
DIN Rail, DIN 35, short side	3.130.0647.67
Extension frame for an additional 55 mm depth	3.130.0646.48



Additional accessories on page 48.  
Flange accessories on page 50.

### 400 x 400 x 187 mm



Polycarbonate	Part Number
Grey cover, plain sides	3.130.0846.70
Grey cover Flange knockouts, A, C: 2 x F2; B, D: 1 x F2	3.130.0822.09
Transp. cover*, plain sides	3.130.0847.36
Transp. cover* Flange knockouts, A, C: 2 x F1; B, D: 1 x F1	3.130.0822.77

ABS	Part Number
Grey cover, plain sides	3.130.0848.10
Transp. cover*, plain sides	3.130.0848.79

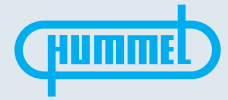
Assembly and machining services of your enclosures are available upon request.  
Drawings with additional dimensions can be furnished upon request.

This type Enclosure includes Extension Frame  
Cover screws and assembly screws are included.  
\*Transparent cover always out of Polycarbonate

Accessories	Part Number
Mounting plate, 1,5 mm thick, galvanized steel	3.130.0647.20
DIN Rail, DIN 35, short side	3.130.0647.67
Extension frame for an additional 55 mm depth	3.130.0646.48

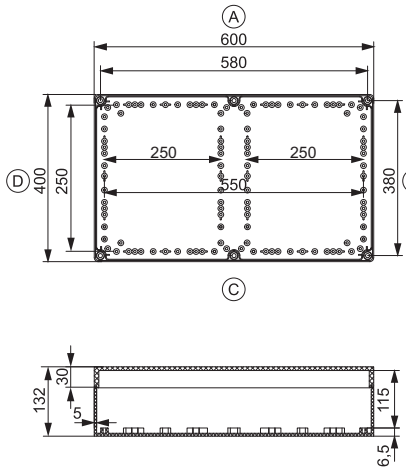
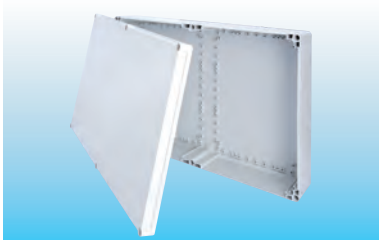


Additional accessories on page 48.  
Flange accessories on page 50.



## Large Enclosures made of Polycarbonate or ABS

### 400 x 600 x 132 mm



Polycarbonate	Part Number
Grey cover, plain sides	3.130.0844.75
Grey cover Flange knockouts, A, C: 2 x F2; B, D: 1 x F2	3.130.0721.82
Transp. cover*, plain sides	3.130.0844.06
Transp. cover* Flange knockouts, A, C: 2 x F2; B, D: 1 x F2	3.130.0722.50

ABS	Part Number
Grey cover, plain sides	3.130.0846.11
Transp. cover*, plain sides	3.130.0845.43

Assembly and machining services of your enclosures are available upon request.  
Drawings with additional dimensions can be furnished upon request.

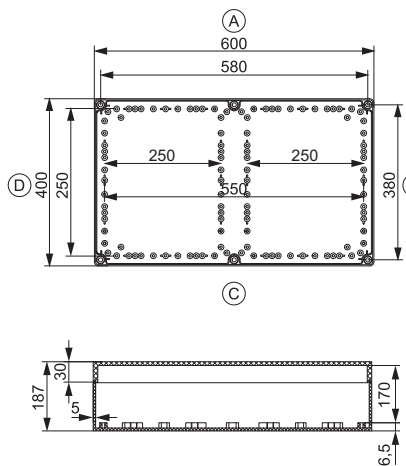
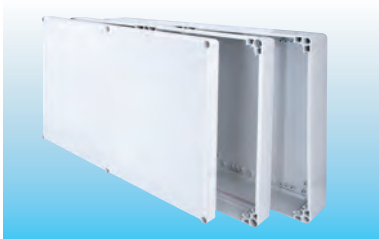
Cover screws and assembly screws are included.  
\*Transparent cover always out of Polycarbonate

Accessories	Part Number
Mounting plate, 1,5 mm thick, galvanized steel	3.130.0647.36
Mounting plate, 260x360x1,5mm, galvanized steel	3.130.0647.12
DIN Rail, DIN 35, short side	3.130.0647.67
DIN Rail, DIN 35, 35 x 560 mm	3.130.0647.74
Extension frame for an additional 55 mm depth	3.130.0646.68



Additional accessories on page 48.  
Flange accessories on page 50.

### 400 x 600 x 187 mm



Polycarbonate	Part Number
Grey cover, plain sides	3.130.0846.80
Grey cover Flange knockouts, A, C: 2 x F2; B, D: 1 x F2	3.130.0822.28
Transp. cover*, plain sides	3.130.0847.58
Transp. cover* Flange knockouts, A, C: 2 x F2; B, D: 1 x F2	3.130.0822.97

ABS	Part Number
Grey cover, plain sides	3.130.0848.26
Transp. cover*, plain sides	3.130.0848.95

Assembly and machining services of your enclosures are available upon request.  
Drawings with additional dimensions can be furnished upon request.

This type Enclosure includes Extension Frame  
Cover screws and assembly screws are included.  
\*Transparent cover always out of Polycarbonate

Accessories	Part Number
Mounting plate, 1,5 mm thick, galvanized steel	3.130.0647.36
Mounting plate, 260x360x1,5mm, galvanized steel	3.130.0647.12
DIN Rail, DIN 35, short side	3.130.0647.67
DIN Rail, DIN 35, 35 x 560 mm	3.130.0647.74
Extension frame for an additional 55 mm depth	3.130.0646.68



Additional accessories on page 48.  
Flange accessories on page 50.



## Series 13 – Accessories

### Accessories

Outside Latches	Size mm	Part Number
Fastening lugs, set	19 x 40 x 35,5	3.813.0647.81

### Accessories

Adjustable Corner Clips for Mounting Plate	Size mm	Part Number
Single corner clip, including M5 screw	19 / 19 x 14	3.813.0647.98
Adjustable corner clips for mounting plate set incl. 4 pcs.	19 / 19 x 14	3.813.0816.96

### Accessories

Brass Inserts	Size mm	Part Number
Single threaded brass insert for cover screws when cover mounted on the back	18 / 30 Ø 16	3.813.0717.89
Cover screws set incl. 4 cover screws and 4 brass inserts		3.813.0717.02

Brass Insert for Mounting Plates and PCB Boards	Size mm	Part Number
Threaded brass inserts	M3	3.813.0723.28
Set of threaded inserts (4 pieces)	M3	3.813.0723.35

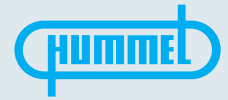
### Accessories

Cover and Mounting Screws	Size mm	Part Number
Cover screws, slotted / cross head, sealable	1	3.813.0745.90
Cover screws, slotted / cross head, dark grey made of noryl	2	3.813.0747.28
Cover screws, slotted / cross head for 600 mm modular cover	3	3.813.0743.60
Cover screws, spring loaded, cross head	4	3.813.0730.73
Cover screws, wing head	5	3.813.0717.62
Cover screws, DIN 3 head	6	3.813.0717.72
Screws for extension frame	7	3.813.0748.03
Mounting screws for plates and rails	8	3.813.0648.04

### Accessories

Self-tapping standoffs	Length in mm	Part Number
4 M5 Steel screws included		3.813.0718.02
4 Spacers included*		3.813.0723.42
4 M5 Steel screws included		3.813.0718.19
4 Spacers included*		3.813.0723.59
4 M5 Steel screws included		3.813.0718.26
4 Spacers included*		3.813.0723.66

\*Set consists of 4 spacers and 4 M5 screws made of steel.



## Accessories for Series 13.

## Series 13 – Accessories

**Accessories**

Hinges	Size mm	Part Number
Hinges (pair)	40 x 50 x 16,5	3.813.0647.74
Hinges (pair), incl. 2 cover plugs	40 x 50 x 16,5	3.813.0723.04

**Accessories**

Quick release latches	Part Number
Quick release latches (1 pair)	3.813.0647.75

**Accessories**

Cover Plugs	Size mm	Part Number
Cover plugs, polyethylene	11 x Ø 15 / 17	3.813.0648.11

**Accessories**

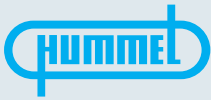
Hinged Cover Screws	Size mm	Part Number
Hinged cover screw, slotted / cross head, blue, polyamide	14 x 96	3.813.0742.47
Hinged cover screw, wing head, blue, polyamide	14 x 113	3.813.0742.54

**Accessories**

Key	Size mm	Part Number
Key for DIN 3 head screw	50 x 50	3.813.0724.10

**Accessories**

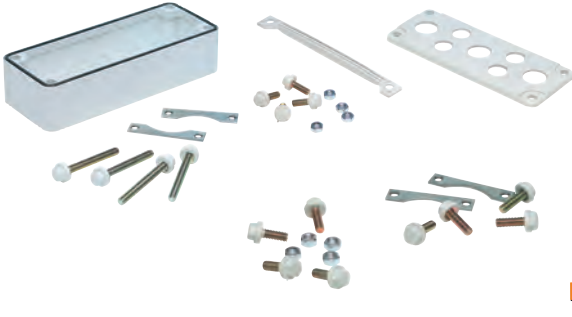
Cover and Mounting Screws	Size mm	Part Number
Pressure balance element, grey, Polyamid	M 12 x 1,5	3.213.1200.50
Locking Nut, grey, Polyamid	M 12 x 1,5	3.262.1200.50



## Series 13 – Accessories

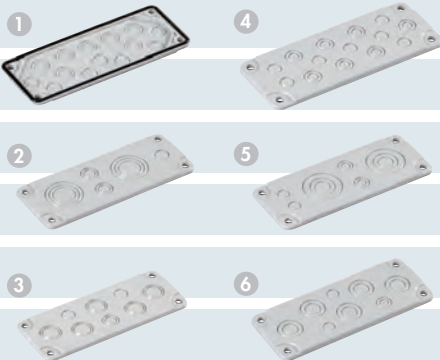
### Special Accessories

A set of screws will be required when ordering a flange from page 50 & 51.



### Special Accessories

Flanges with Knockouts	Size	Part Number
Incl. PUR gasket, 7 x PG 11 + 4 x PG 9 / 16, PC	F2	1 3.813.0721.13
Incl. PUR gasket, 2 x PG 21 / 29 / 36 + 2 x PG 9 / 16 + 1 x PG 11, PC	F2	2 3.813.0723.97
Incl. PUR gasket, 5 x PG 16 / 21 + 2 x PG 11, PC	F2	3 3.813.0724.03
Incl. PUR gasket, 7 x M 16 + 7 x M 12 / 20	F2	4 3.813.0725.95
Incl. PUR gasket, 2 x M 20 / 32 / 50 + 2 x M 12 / 20 + 2 x M 16	F2	5 3.813.0726.25
Incl. PUR gasket, 5 x M 20 / 32 + 2 x M 16 + 1 x M 12 / 20	F2	6 3.813.0727.00



### Special Accessories

Flanges Accessories	Size	Part Number
Extension frame for F2 flanges, PC	50 mm	3.813.0734.48
Self-adhesive flange gasket	F1	3.813.0719.25
Self-adhesive flange gasket	F2	3.813.0720.76
Flange bolt set, F1 size, steel bolt with plastic head	M 6 x 20	3.813.0730.66
Flange bolt set, F2 size, steel bolt with plastic head	M 8 x 20	3.813.0816.89
Flange bolt set, F2 size, steel bolt with plastic head + steel connector	M 8 x 20	3.813.0730.80
Flange base support for size F2, PA	F2	3.813.0721.06



### Special Accessories

Cover Flanges	Size	Part Number
PC / ABS, excluding gasket	F1	1 3.813.0718.33
PC, incl. PUR gasket	F2	2 3.813.0719.49





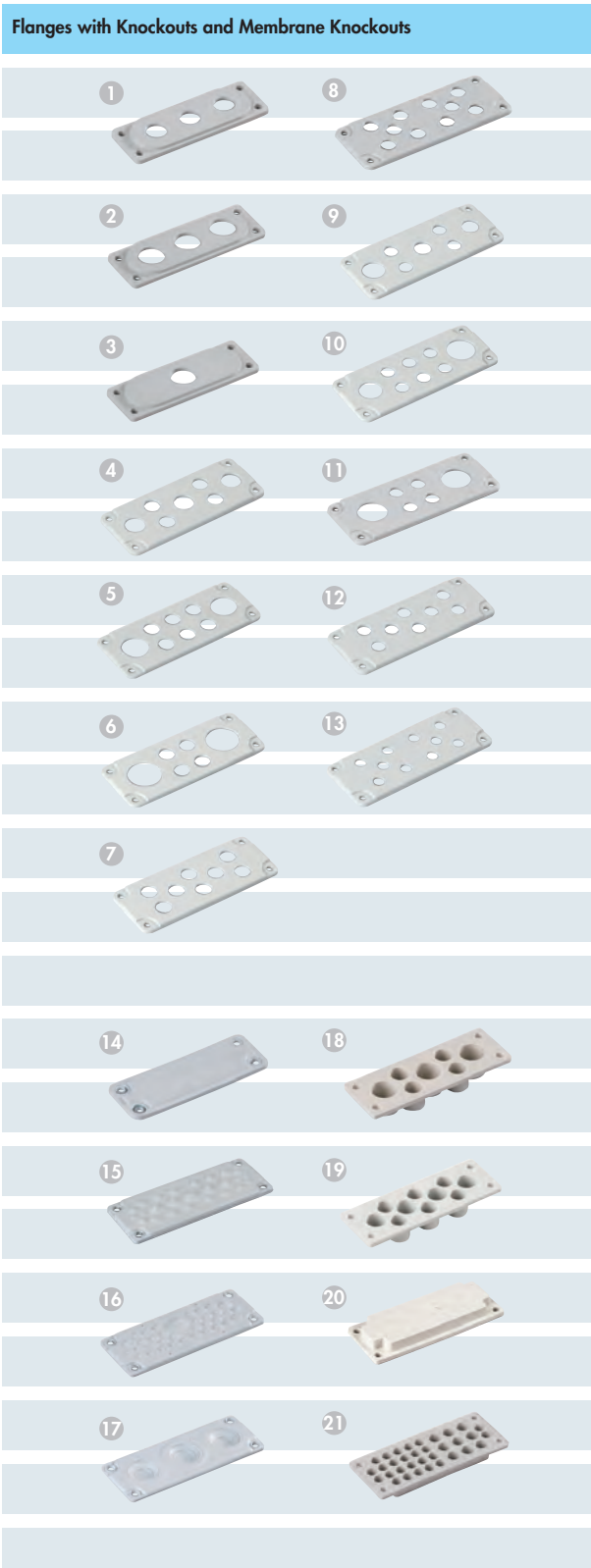
## Series 13 – Accessories

### Special Accessories

Flanges with Knockouts	Size	Part Number
Excluding gasket, 3 x ø20 mm, PC / ABS	F1	1 3.813.0526.41
Excluding gasket, 3 x ø25 mm, PC / ABS	F1	2 3.813.0526.58
Excluding gasket, 1 x ø32 mm, PC / ABS	F1	3 3.813.0526.65
Incl. PUR-gasket, 3 x PG 21 + 4 x PG 16, PC	F2	4 3.813.0719.56
Incl. PUR-gasket, 2 x PG 29 + 6 x PG 16, PC	F2	5 3.813.0719.63
Incl. PUR-gasket, 2 x PG 36 + 4 x PG 16, PC	F2	6 3.813.0719.70
Incl. PUR-gasket, 8 x PG 16, PC	F2	7 3.813.0719.87
Incl. PUR-gasket, 10 x PG 11, PC	F2	8 3.813.0719.94
Incl. PUR-gasket, 4 x ø20 mm + 1 x ø25 mm + 2 x ø32 mm, PC	F2	9 3.813.0526.72
Incl. PUR-gasket, 6 x ø20 mm + 1 x ø32 mm + 2 x ø40 mm, PC	F2	10 3.813.0526.89
Incl. PUR-gasket, 4 x ø20 mm + 2 x ø40 mm, PC	F2	11 3.813.0526.96
Incl. PUR-gasket, 8 x ø20 mm, PC	F2	12 3.813.0527.02
Incl. PUR-gasket, 10 x ø16 mm, PC	F2	13 3.813.0527.19

Flanges with Membrane Knockouts	Size	Part Number
For 5 x ø7–30 mm cables, EPDM	F1	14 3.813.0718.71
For 25 x ø5–26 mm cables, EPDM	F2	15 3.813.0720.07
For 35 x ø5–26 mm cables, EPDM	F2	16 3.813.0720.14
For 3 x ø24–60 mm cables, EPDM	F2	17 3.813.0720.21
Excluding gasket, 3 x ø21 mm + 4 x ø15 mm, TPE	F1	18 3.813.0718.88
Excluding gasket, 4 x ø16 mm + 6 x ø13 mm, TPE	F1	19 3.813.0718.95
Excluding gasket, 3 x ø30 mm + 6 x ø18 mm + 16 x ø14 mm, TPE	F2	20 3.813.0720.38
Excluding gasket, 9 x ø18 mm + 24 x ø14 mm, TPE	F2	21 3.813.0720.45

### Special Accessories





## Setting Standards

# Did you know ...

### ... that HUMMEL can offer you Cable Glands?

#### ■ Brass or stainless steel (INOX)

Available with metric, PG (steel conduit) and NPT threads in the following sizes: M 12 x 1,5 to M 110 x 1,5, PG 7 to PG 48, 3/8" NPT to 1" NPT

Suitable for the following applications:

- industry standard
- EMC
- cable glands for hazardous areas
- type of protection Ex e
- type of protection Ex d
- type of protection Ex tD

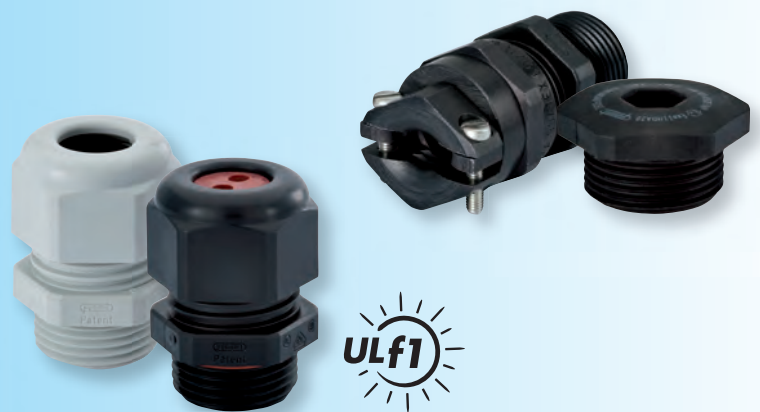
#### ■ Plastic (PA)

Available with metric, PG and NPT threads in the following sizes: M12 x 1,5 to M 63 x 1,5, PG 7 to PG 48, 3/8" NPT to 1" NPT

Suitable for the following applications:

- industry standard
- Ex e type of protection

Besides, we offer customised solutions in many different materials and sizes.



# EXIOS

