

BP-48V

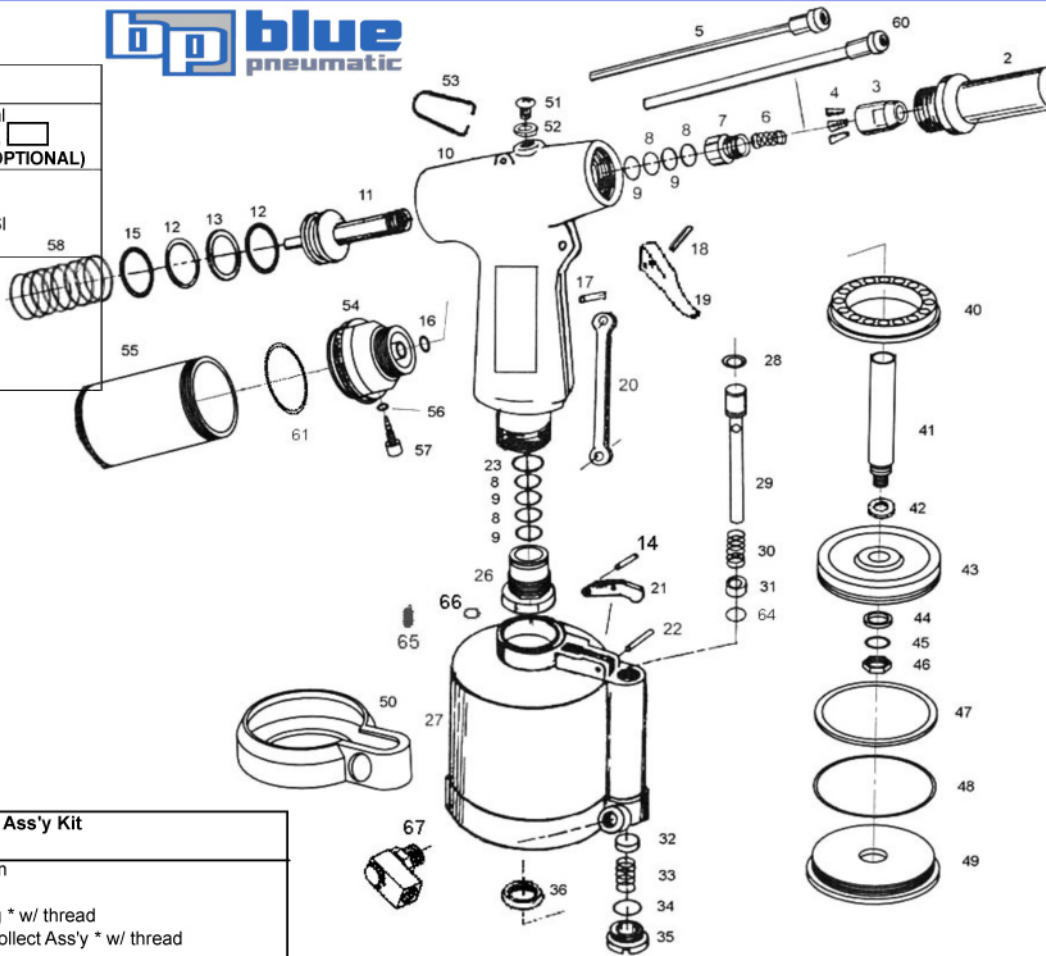
Power Micro AIR HYDRAULIC RIVETER

*FOR UP TO 5/32 ALUMINIUM RIVETS

* With MANDREL COLLECT SYSTEM

SPECIFICATIONS

Model No.	BP-48V
Riveting Capacity	All Material 1/8", 5/32", <input type="checkbox"/> (3/32"=>OPTIONAL)
Traction Power	1760 lbs
Hydraulic Stroke	5/8"
Operating Air Pressure	85-110 PSI
Length	9-1/2"
Weight	2.7 lbs
Min. Hose Size	3/8" I.D.
Air Inlet	1/4" NPT
Sound Pressure	85 DBA
Vibration	<2.5M/S



#142176 Mandrel Collector Ass'y Kit		
Content:		
Index	Part No.	Description
16	02197	O-Ring
54	48010VB	Screw Plug * w/ thread
55	480860C	Mandrel Collect Ass'y * w/ thread
56	P1501	O-Ring
57	48071	Regulator
61	P36X2	O-Ring

1025-3

Index No.	Part No.	Description	FOB	Index No.	Part No.	Description	FOB	Index No.	Part No.	Description
1	480316	3/16" Nosepiece		28	P6x1.9	O-Ring		60	480065HL	Pusher Tube
2	48012	Head		29	48028	Valve Rod		64	R58X2	O-Ring
3	10409	Jaw Housing		30	48032	Spring		65	76050	Roll Pin
4	10508	Jaws (3)		31	48030	Washer		66	20412	O-Ring
6	480123	Spring		32	48031	Valve Plate		67	#021470	Universal Joint Kit
7	48011A	Jaw Housing Coupler		33	48029	Spring		*	#142176	Mandrel Collector Ass'y Kit
8	11520	X-Ring Seal (4)		34	25203	O-Ring		** ACCESSORIES **		
9	11558	O-Ring Washer (4)		35	48027	Screw Plug		1	480018	1/8" Nosepiece
10	48084	Hydraulic Section		36	02121	Lock Nut		1	480532	5/32" Nosepiece
11	48003V	Hydraulic Plunger		40	48060	Damping Ring		5	480065	Pusher Tube
12	P2224	O-Ring Seal (2)		41	48079	Plunger Rod		53	54059	Hanging Ring
13	48022	O-Ring Washer		42	02197	O Ring		*	54005	Hex Wrench
14	N2.5X6	Pin		43	48061	Piston Disc		*	11S13	Wrench
15	02116	O-Ring Seal		44	48047	Washer		*	14S17	Wrench (2)
17	02168H	Pin		45	48045	Inner Tooth Washer		*	11790	Oil Syringe
18	02169	Pin		46	48048	Nut		OPTIONAL ACCESSORIES:		
19	02138	Trigger		47	P6035	O-Ring		(TO BE CHARGED UPON REQUEST)		
20	02133	Trigger Rod		48	P6428	O-Ring		1	480017	3/32" Nosepiece
21	02134	Trigger Lever		49	48063	Cylinder Cap		4	A6618	Jaw (3)
22	02167	Pin		50	48082	Rubber Cushion		For small rivets 1/8"/(3.2mm) 3/32"/(2.4mm)		
23	02170	O-Ring	0.12	51	02171	Oil Plug				