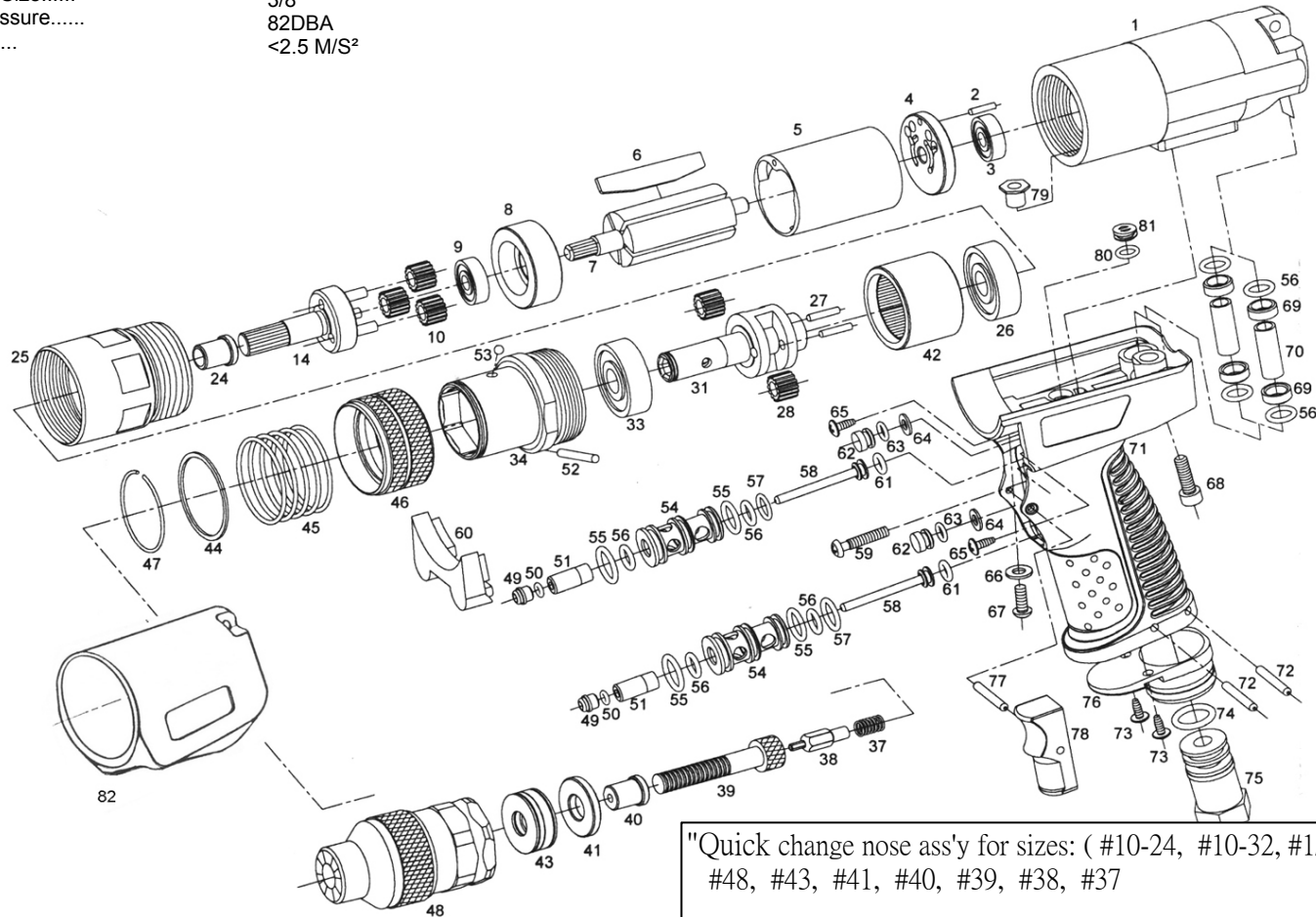


**SPECIFICATIONS**

Max. Rivet Nut Setting Capacity.....	1/4"-20
Max. Speed.....	700RPM
Weight.....	1.3KGS
Avg. Air Consumption.....	5 CFM
Air Inlet.....	1/4"NPTF
Mini-Hose Size.....	3/8"
Sound Pressure.....	82DBA
Vibration.....	<2.5 M/S <sup>2</sup>



"Quick change nose ass'y for sizes: ( #10-24, #10-32, #1/4"-20 ) :  
#48, #43, #41, #40, #39, #38, #37

4/2008A

Index No.	Part No.	Description
1	300360	Motor Housing
2	P2514	Spring Pin
3	25004	Ball Bearing
4	300114	Rear Plate
5	300109	Cylinder
6	300107	Rotor Blade (6)
7	360214	Rotor (14T)
8	300108	Front Plate
9	B608	Ball Bearing
10	90014B	Planet Gear(14T)(3)
14	90011A	Planet Cage(7T)+ Pin
24	90016A	Bushing
25	300115	Housing
26	35060	Ball Bearing
27	35059	Planet Pin (2)
28	90014B	Planet Gear(14T) (2)
31	90010W	Planet Cage
33	35069	Ball Bearing
34	60074	Q-chang Housing
37	35076	Spring
38	601420	Hexagon Bit 1/4"-20
	601032	Hexagon Bit #10-32
	601024	Hexagon Bit #10-24
39	W14020	Bolt 1/4"-20
	W10032	Bolt #10-32
	W10024	Bolt #10-24

Index No.	Part No	Description
40	6009614	Bushing 1/4"-20
	60095	Bushing #10-32
	60095	Bushing #10-24
41	60063	Washer
42	35012A	Internal Gear
43	35065	Needle Bearing
44	60032	Washer
45	60076	Spring
46	60072	Q-chang Clamp
47	60075	Ring
48	600N14	Nut Anvil 1/4"-20
	600N10	Nut Anvil #10-32
	600N10	Nut Anvil #10-24
49	300061	Sleeve Bushing (2)
50	R3-2X13	O-Ring(Ø3.2X1.3) (2)
51	30006	Sleeve (2)
52	35029	Pin
53	60053	Steel Ball
54	30005	Throttle Bushing (2)
55	R115X2	O-Ring(Ø11.5X2) (4)
56	R7X18	O-Ring(Ø7X1.8) (8)
57	R10X19	O-Ring(Ø10X1.9) (2)
58	30007	Valve stem (2)
59	BSM5X25	Screw
61	R5X19	O-Ring (Ø5X1.9) (2)
62	30086	Plug (2)

Index No.	Part No	Description
63	R5X15	O-Ring(Ø5X1.5) (2)
64	R8X65X16	Washer(Ø8X6.5x1.6) (2)
65	WS3X10	Screw (2)
66	300W5	Washer
67	BSM5X12	Screw
68	HSM5X20	Screw
69	30011	Bushing (4)
70	30025	Tube (2)
71	30003	Handle
72	SP3X25	Roll Pin (2)
73	WS3.5X15	Screw (2)
74	25203	O-ring(P12X2.4)
75	30018	Air Inlet Bushing
76	30027	Diffuser Exhaust
77	SP2.5X20	Pin
78	30012	Trigger
79	300M5	Nut
80	R6X15	O-Ring(Ø6X1.5) (2)
81	30009	Plug (2)
***ACCESSORIES ***		
*	T1010S	Air Regulator (T1010B)
*** OPTIONAL ACCESSORY ***		
60	30059	Rubber Cap
82	30091	Rubber Cover for Housing