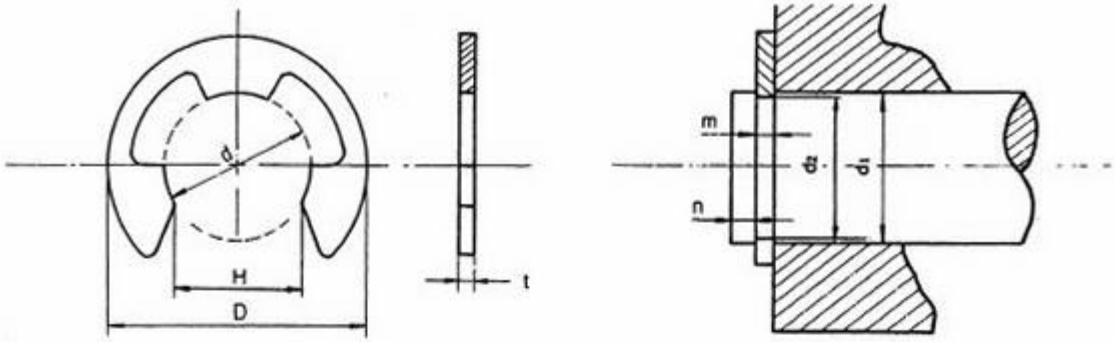


E-TYPE RETAINING RINGS (B) 304 STAINLESS STEEL**



dimensions in mm

Size No.	Size	Shaft Dia d1	Retaining Ring				Groove dimension										
			ID d	OVD D	Thickness t	H	Diameter d2	Width m	n(min)								
12013	TE-2	1.5~2	1.3	5	0.4	±0.05	1	1.3	0	0.5	1						
12913	3	1.5~2	1.3									3.7	0.25	1	1.3	+0.05	0.3
12014	4	2~2.5	1.4									3.5	0.3	±0.03	1.1	1.4	0
12016	5	2~2.8	1.6	3.5	0.3		1.2	1.6		0.4							
12019	6	2.5~3	1.9	6.5	0.5		1.5	±0.05	1.9		0.6						
12819	7	2.5~3	1.9	4.7	0.4		1.5		1.9		0.5						
12020	9	3~4	2	6.5	0.4		1.6		2		0.5						
12023	11	3~4	2.3	5.6	0.4		1.8		2.3		0.5						
12024	12	3.5~4.5	2.4	5.8	0.4		1.9		2.4		0.5						
12025	13	4~5	2.5	5.2	0.4		2	±0.08	2.5		0.5						
12029	14	4.5~6	2.9	7.2	0.65		2.3		2.9	+0.08	0.75						
12030	15	4.5~6	3	8	0.5		2.4		3	0	0.6						
12031	16	4.5~6	3.1	9.5	0.5	±0.2	2.5		3.1		0.6						
12032	16-2	4.5~6	3.2	7.2	0.6		2.7		3.2		0.7						
12033	17	5~7	3.3	10.5	0.5		2.7		3.3		0.6						
12036	18	5~7	3.6	10.5	0.5		2.9		3.6		0.6						
12037	19	5~7	3.7	8.5	0.65	±0.05	3		3.7		0.75						
12038	19-2	5~7	3.8	10.5	0.5		2.4	±0.1	3.8		0.6						
12040	20	6~8	4	10	0.6		3.3		4		0.7						
12041	20-2	7~9	4.1	11	0.4		3.6		4.1		0.5						
12045	20-3	7~9	4.5	10.5	0.5		3.8		4.5		0.6						
12047	21	7~9	4.7	11	0.6		3.8		4.7		0.7						
12050	22	7~9	5	11	0.6		4.1		5	+0.1	0.7						
12060	23	7~9	6	12	0.6		4.9		6	0	0.7						
12070	24	8~11	7	14	0.9		5.7		7		1						
12076	25	9~12	7.6	16.8	0.7	±0.3	6.2		7.6		0.8						
12080	26	9~12	8	16	1		6.5		8		1.2						
12090	27	10~14	9	18.5	1		7.7	±0.15	9		1.2						
12120	29	13~18	12	24	1		10.4		12		1.2						
12146	30	15.5~20	14.6	28.4	1.2		12.5		14.7	+0.15	1.4						
12209	31	22~26	20.9	38	1.2	±0.06	17		21	0	1.4						

SERIES R928-112

How to order: R928-series number-material code-surface code-size number

Examples: R928-112-02-01-12025

material code 02 = JIS SUS304CSP HRC 37 ~ 44

surface code 01 = Polished (SUS)

Many items in chapter S are not stocked in the USA. Please allow adequate lead time for delivery and factory minimum order requirements.

copyright 2005 maryland metrics ver a15b

MARYLAND METRICS

phones: (410)358-3130 (800)638-1830 faxes: (410)358-3142 (800)872-9329

URL: <http://mdmetric.com> Email: sales@mdmetric.com

P.O. Box 261 Owings Mills, MD 21117 USA

FASTENER CATALOG - CHAPTER S