



BL Precision Bearings

MINIATURE & INSTRUMENT PRECISION BALL BEARINGS

Available from **MARYLAND METRICS**
P.O. Box 261 Owings Mills, MD 21117 USA
ph: (410)358-3130 (800)638-1830
fx: (410)358-3142 (800)872-9329
web: <http://mdmetric.com>
email: sales@mdmetric.com
RFQ form: <http://mdmetric.com/rfq.htm>

How to order products from this catalog:
Please prefix the bearing part number with 'R701-'
examples: R701-SSL310 or R701-SSLF415

TABLE OF CONTENTS

MINIATURE AND INSTRUMENT PRECISION BALL BEARINGS

Introduction..... 2-3

Nomenclature..... 4

Inch Series..... 5-8

Metric Series..... 9-10

600 Series..... 11-12

Tolerances 13

Interchange..... 14-38

Since 1947 Bearings Limited has been dedicated to providing bearing and power transmission distributors throughout the world with a high quality product, competitive pricing and a level of customer service unmatched in the industry. Today, our extensive inventory of over 20,000 different bearing sizes and configurations are purchased exclusively through a worldwide network of manufacturers. These bearings are conveniently stocked in each of our seven locations throughout the United States to satisfy the "Just in Time" needs of distributors in North America, Europe, South America, Asia, Africa and the Far East.

The Miniature Bearing Division at Bearings Limited is a leading supplier of Miniature and Instrument Precision Bearings.

In partnership with manufacturers, Bearings Limited supplies only the highest quality Miniature Bearings.

Exact machining procedures insure proper radial play, torque values, static and dynamic loads, operating speeds and Abec class. Rigidly monitored testing insures that every bearing produced for Bearings Limited meets AFBMA/ISO Standards.

Dedication to such detail has placed Bearings Limited in the forefront of the Miniature and Instrument Precision Bearing industry.

Typical applications for Miniature and Instrument Precision Bearings are:

- Actuators
- Power Tools
- Dental Hand Pieces
- Tape Guides
- Medical Devices
- Telecommunication Equipment
- Disk Drives
- Computers
- Servomotors
- Encoders
- Gearheads
- Differentials

In order to better service this wide range of Miniature marketplaces, Bearings Limited offers an extensive variety of Miniature Bearing configurations:

- SAE 52100 Chrome Steel
- AISI 440C Stainless Steel
- Extended Inner Rings
- Open, Sealed or Shielded
- Abec 1 thru Abec 7 Precision
- Inch & Metric Sizes
- Flanged & Unflanged Outer Rings
- Choice of Radial Play/ Retainer Type

STANDARD LUBRICATION

With access to over 100 different types of lubes, our Lubrication Department is equipped to fulfill your specific lubrication needs. Bearings Limited's standard lubes for its bearings are:

| TRADE NAME | MANUFACTURER | TEMP. RANGE F | MIL. SPEC | TYPE | BASE | BL CODE |
|-------------------|---------------|---------------|--------------|--------|-------------------|---------|
| Winsor Lube L245X | Anderson Oil | -67 +175 | Mil-L6085A | Oil | Diester | L01 |
| Anderol 401D | Tenneco Chem | -65 +300 | Mil-L-6085A | Oil | Synthetic Diester | L02 |
| Beacon 325 | Exxon Co. | -65 +250 | None | Grease | Diester | LG20 |
| Andok B | Exxon Co. | -20 +250 | Mil-G-18709A | Grease | Petroleum | LG38 |
| Andok C | Exxon Co. | -20 +250 | None | Grease | Petroleum | LG39 |
| Aeroshell 7 | Shell Oil Co. | -100 +300 | Mil-G-23827A | Grease | * | LG49 |
| Mobil 28 | Mobil Oil Co. | -85 +350 | Mil-G-81322 | Grease | * | LY48 |
| SRI-2 | Chevron | -20 +350 | None | Grease | Mineral | LY75 |
| Alvania No.2 | Shell Oil Co. | -30 +250 | Mil-G-18709 | Grease | Mineral | LY83 |

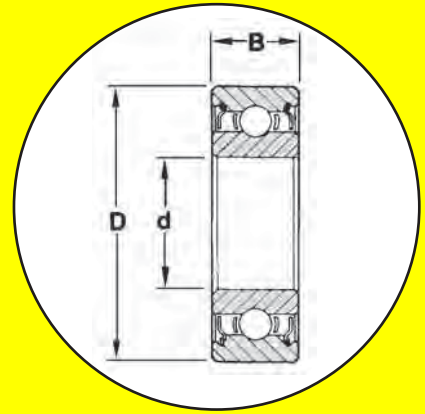
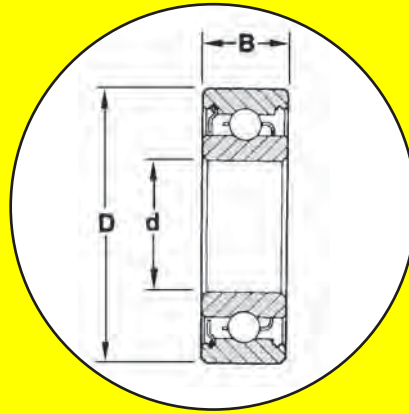
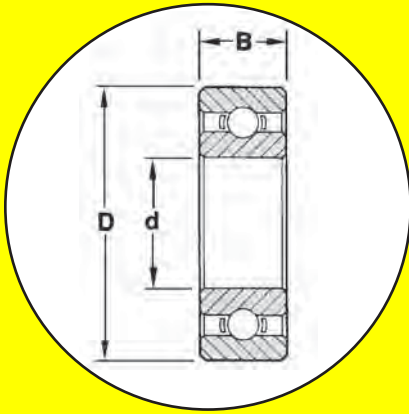


PART NUMBERING SYSTEM

| MATERIAL | TYPE | SIZE | CLOSURES | SPECIAL DESIGN | RETAINER TYPE | ABEC CLASS | RADIAL PLAY | LUBE |
|----------|----------|----------|----------|----------------|---------------|------------|-------------|-----------|
| 1 SS | 2 RIF | 3 814 | 4 ZZ | 5 EE | 6 H | 7 A3 | 8 P25 | 9 LG49 |

| | | |
|---|-----------------------|---|
| 1 | MATERIAL | SS = AISI 440C STAINLESS STEEL NO SYMBOL = SAE 52100 CHROME STEEL |
| 2 | TYPE | RI = RADIAL INCH L, R = RADIAL METRIC F = FLANGED 600 SERIES FR = INCH FLANGED R SERIES RIF = RADIAL FLANGED INCH LF, RF = RADIAL FLANGED METRIC |
| 3 | SIZE | BASIC SIZE |
| 4 | CLOSURES | DD = RUBBER SEALS - INCH & METRIC HH = NON REMOVABLE METAL SHIELDS LL = FIBER REINFORCED TEFLON SEALS TT = VIRGIN TEFLON SEALS ZZ = REMOVABLE METAL SHIELDS 2RS = RUBBER SEALS, 600 & R SERIES |
| 5 | SPECIAL DESIGN | EE = EXTENDED INNER RINGS |
| 6 | RETAINER TYPE | F = FULL COMPLIMENT H = CROWN KC = PHENOLIC R = RIBBON |
| 7 | ABEC CLASS | A1 = ABEC 1 A3 = ABEC 3 A5 = ABEC 5 A7 = ABEC 7 A9 = ABEC 9 |
| 8 | RADIAL PLAY | P - FOLLOWED BY TWO NUMBERS INDICATE RADIAL PLAY IN TEN THOUSANDTHS OF AN INCH. I.E. P25 = .0002/.0005 RADIAL PLAY. |
| 9 | LUBE | LETTER CODE FOLLOWED BY NUMBER INDICATES SPECIFIC LUBE. LD - DRY - NO LUBE LG - MIL - SPEC GREASES LO - MIL - SPEC OILS LY - NON MIL - SPEC OIL & GREASES I.E. LG49 = AEROSHELL #7 |

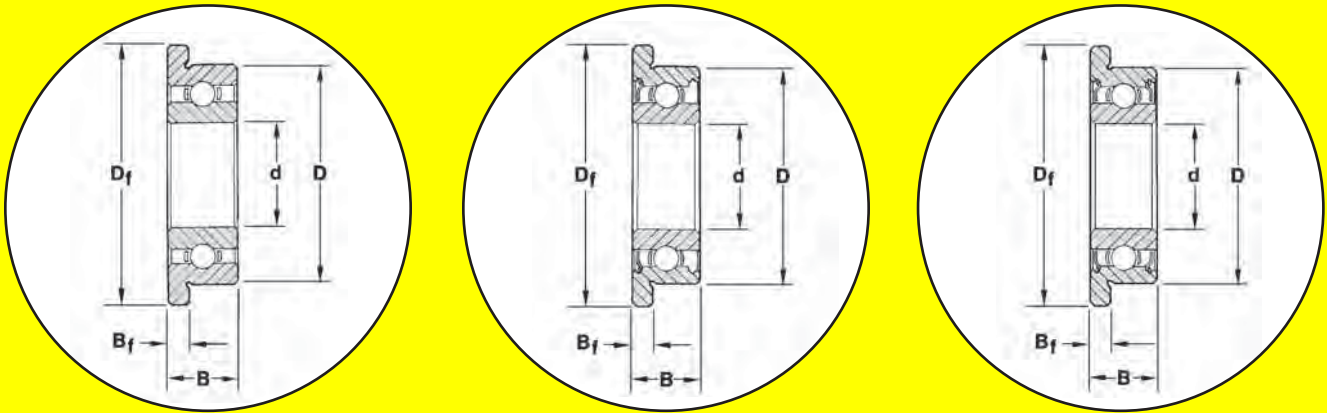
UNFLANGED INCH SERIES



| BL BASIC NUMBER | BORE d | O.D. D | WIDTH B OPEN | SHIELDED WIDTH B | |
|-----------------------|-----------|-----------|--------------------|---------------------|-----------|
| | | | | 1 SHIELD | 2 SHIELDS |
| SSRI-2 | .0400 | .1250 | .0469 | - | - |
| SSRI 2 1/2 | .0469 | .1562 | .0625 | .0937 | .0937 |
| SSRI-3 | .0550 | .1875 | .0781 | .0937 | .1094 |
| SSRI-4 | .0781 | .2500 | .0937 | .1094 | .1406 |
| SSRI3332 | .0937 | .1875 | .0625 | .0937 | .0937 |
| SSRI-5 | .0937 | .3125 | .1094 | .1094 | .1406 |
| SSRI418 | .1250 | .2500 | .0937 | .0937 | .1094 |
| SSRI518 | .1250 | .3125 | .1094 | .1094 | .1406 |
| SSRI618 | .1250 | .3750 | .1094 | .1094 | .1406 |
| SSR2 | .1250 | .3750 | .1562 | .1562 | .1562 |
| SSR2A | .1250 | .5000 | .1719 | .1719 | .1719 |
| SSRI5532 | .1562 | .3125 | .1094 | .1094 | .1250 |
| SSRI5632 | .1875 | .3125 | .1094 | .1094 | .1250 |
| SSRI6632 | .1875 | .3750 | .1250 | .1250 | .1250 |
| SSR3 | .1875 | .5000 | .1562 | .1960 | .1960 |
| SSRI614 | .2500 | .3750 | .1250 | .1250 | .1250 |
| SSRI814 | .2500 | .5000 | .1250 | .1250 | .1875 |
| SSR4 | .2500 | .6250 | .1960 | .1960 | .1960 |
| SSR4A | .2500 | .7500 | .2188 | .2812 | .2812 |
| SSRI8516 | .3125 | .5000 | .1562 | .1562 | .1562 |
| SSRI1038 | .3750 | .6250 | .1562 | .1562 | .1562 |
| SSR6 | .3750 | .8750 | .2188 | .2812 | .2812 |
| SSRI1212 | .5000 | .7500 | .1562 | .1562 | .1562 |
| SSR8 | .5000 | 1.1250 | .2500 | .3125 | .3125 |
| SSRI1458 | .6250 | .8750 | .1562 | .1562 | .1562 |
| SSRI1634 | .7500 | 1.0000 | .1562 | .1562 | .1562 |

NOTE: BL NUMBERS SHOWN INCLUDE SS PREFIX INDICATING AISI 440C STAINLESS STEEL.

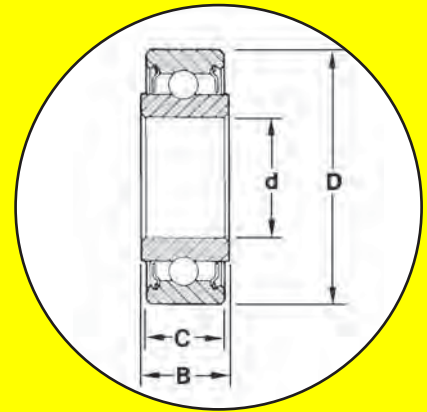
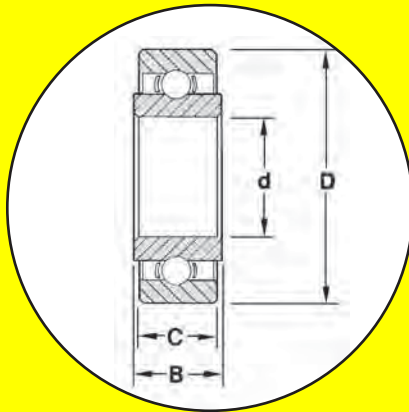
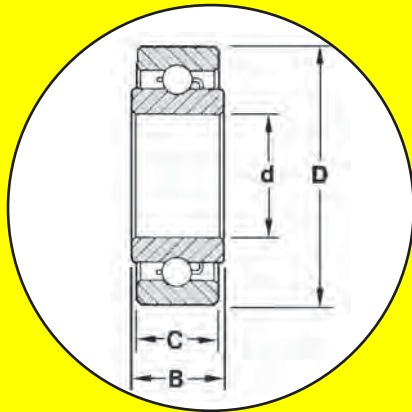
FLANGED INCH SERIES



| BL BASIC NUMBER | BORE d | O.D. D | WIDTH B OPEN | WIDTH B 1 OR 2 SHIELDS | FLANGED O.D. Df | | FLANGE WIDTH Bf | |
|-----------------|--------|--------|--------------|------------------------|-----------------|----------|-----------------|----------|
| | | | | | OPEN | SHIELDED | OPEN | SHIELDED |
| SSRIF-2 | .0400 | .1250 | .0469 | – | .171 | – | .013 | – |
| SSRIF 2 1/2 | .0469 | .1562 | .0625 | .0937 | .203 | .203 | .013 | .031 |
| SSRIF-3 | .0550 | .1875 | .0781 | .1094 | .234 | .234 | .023 | .031 |
| SSRIF-4 | .0781 | .2500 | .0937 | .1406 | .296 | .296 | .023 | .031 |
| SSRIF3332 | .0937 | .1875 | .0625 | .0937 | .234 | .234 | .018 | .031 |
| SSRIF-5 | .0937 | .3125 | .1094 | .1406 | .359 | .359 | .023 | .031 |
| SSRIF418 | .1250 | .2500 | .0937 | .1094 | .296 | .296 | .023 | .031 |
| SSRIF518 | .1250 | .3125 | .1094 | .1406 | .359 | .359 | .023 | .031 |
| SSRIF618 | .1250 | .3750 | .1094 | .1406 | .422 | .422 | .023 | .031 |
| SSFR2 | .1250 | .3750 | .1562 | .1562 | .440 | .440 | .030 | .030 |
| SSRIF5532 | .1562 | .3125 | .1094 | .1250 | .359 | .359 | .023 | .036 |
| SSRIF5632 | .1875 | .3125 | .1094 | .1250 | .359 | .359 | .023 | .036 |
| SSRIF6632 | .1875 | .3750 | .1250 | .1250 | .422 | .422 | .023 | .031 |
| SSFR3 | .1875 | .5000 | .1562 | .1960 | .565 | .565 | .042 | .042 |
| SSRIF614 | .2500 | .3750 | .1250 | .1250 | .422 | .422 | .023 | .036 |
| SSRIF814 | .2500 | .5000 | .1250 | .1875 | .547 | .547 | .023 | .045 |
| SSFR4 | .2500 | .6250 | .1960 | .1960 | .690 | .690 | .042 | .042 |
| SSRIF8516 | .3125 | .5000 | .1562 | .1562 | .547 | .547 | .031 | .031 |
| SSFR6 | .3750 | .8750 | .2812 | .2812 | .969 | .969 | .062 | .062 |

NOTE: BL NUMBERS SHOWN INCLUDE SS PREFIX INDICATING AISI 440C STAINLESS STEEL.

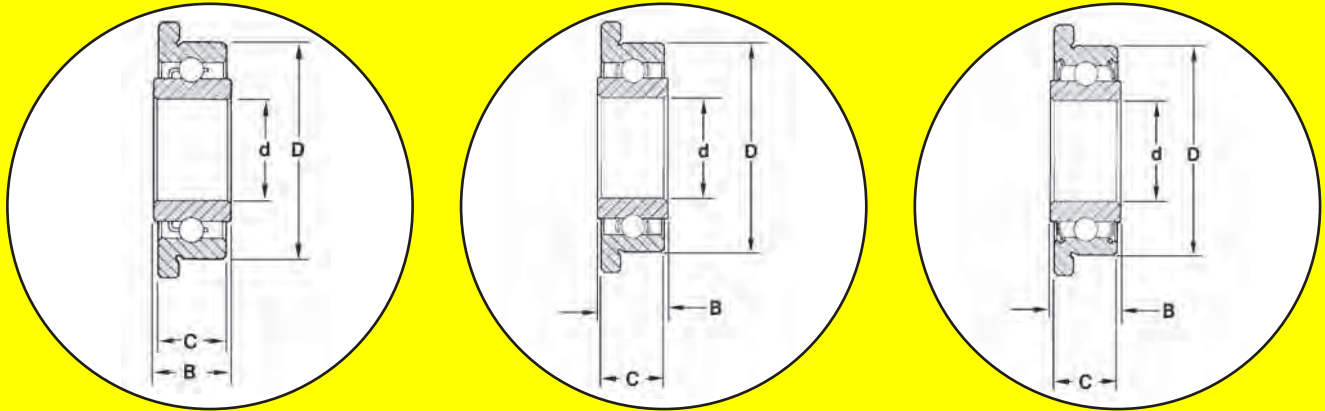
UNFLANGED INCH SERIES-EXTENDED INNER RINGS



| BL BASIC NUMBER | BORE d | O.D. D | WIDTH OPEN C | WIDTH 1 OR 2 SHIELDS C | INNER RING WIDTH | |
|-----------------------|-----------|-----------|--------------------|---------------------------------|------------------|------------------------|
| | | | | | OPEN B | 1 OR 2 SHIELDS B |
| SSRI-2 | .0400 | .1250 | .0469 | - | .0781 | - |
| SSRI-2 1/2 | .0469 | .1562 | .0625 | .0937 | .0937 | .1250 |
| SSRI-3 | .0550 | .1875 | .0781 | .1094 | .1094 | .1406 |
| SSRI-4 | .0781 | .2500 | .0937 | .1406 | .1250 | .1719 |
| SSRI3332 | .0937 | .1875 | .0625 | .0937 | .0937 | .1250 |
| SSRI-5 | .0937 | .3125 | .1094 | .1406 | .1406 | .1719 |
| SSRI418 | .1250 | .2500 | .0937 | .1094 | .1250 | .1406 |
| SSRI518 | .1250 | .3125 | .1094 | .1406 | .1406 | .1719 |
| SSRI618 | .1250 | .3750 | .1094 | .1406 | .1406 | .1719 |
| SSR2 | .1250 | .3750 | .1562 | .1562 | .1875 | .1875 |
| SSRI5532 | .1562 | .3125 | .1094 | .1250 | .1406 | .1562 |
| SSRI5632 | .1875 | .3125 | .1094 | .1250 | .1406 | .1562 |
| SSRI6632 | .1875 | .3750 | .1250 | .1250 | .1562 | .1562 |
| SSR3 | .1875 | .5000 | .1960 | .1960 | - | .2272 |
| SSRI614 | .2500 | .3750 | .1250 | .1250 | .1562 | .1562 |
| SSRI814 | .2500 | .5000 | .1250 | .1875 | .1562 | .2188 |
| SSR4 | .2500 | .6250 | .1960 | .1960 | - | .2260 |
| SSRI8516 | .3125 | .5000 | .1562 | .1562 | .1875 | .1875 |

NOTE: BL NUMBERS SHOWN INCLUDE SS PREFIX INDICATING AISI 440C STAINLESS STEEL.

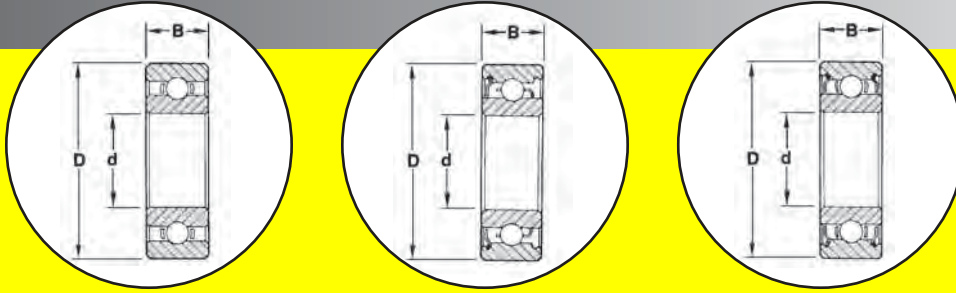
FLANGED INCH SERIES-EXTENDED INNER RINGS



| BL BASIC NUMBER | BORE d | O.D. D | WIDTH OPEN C | WIDTH 1 OR 2 SHIELDS C | INNER RING WIDTH | |
|-----------------------|-----------|-----------|--------------------|---------------------------------|------------------|------------------------|
| | | | | | OPEN B | 1 OR 2 SHIELDS B |
| SSRIF-2 | .0400 | .1250 | .0469 | - | .0781 | - |
| SSRIF-2 1/2 | .0469 | .1562 | .0625 | .0937 | .0937 | .1250 |
| SSRIF-3 | .0550 | .1875 | .0781 | .1094 | .1094 | .1406 |
| SSRIF-4 | .0781 | .2500 | .0937 | .1406 | .1250 | .1719 |
| SSRIF3332 | .0937 | .1875 | .0625 | .0937 | .0937 | .1250 |
| SSRIF-5 | .0937 | .3125 | .1094 | .1406 | .1406 | .1719 |
| SSRFI418 | .1250 | .2500 | .0937 | .1094 | .1250 | .1406 |
| SSRIF518 | .1250 | .3125 | .1094 | .1406 | .1406 | .1719 |
| SSRIF618 | .1250 | .3750 | .1094 | .1406 | .1406 | .1719 |
| SSFR2 | .1250 | .3750 | .1562 | .1562 | .1875 | .1875 |
| SSRIF5532 | .1562 | .3125 | .1094 | .1250 | .1406 | .1562 |
| SSRIF5632 | .1875 | .3125 | .1094 | .1250 | .1406 | .1562 |
| SSRIF6632 | .1875 | .3750 | .1250 | .1250 | .1562 | .1562 |
| SSFR3 | .1875 | .5000 | .1562 | .1960 | - | .2272 |
| SSRIF614 | .2500 | .3750 | .1250 | .1250 | .1562 | .1562 |
| SSRIF814 | .2500 | .5000 | .1250 | .1875 | .1562 | .2188 |
| SSFR4 | .2500 | .6250 | .1960 | .1960 | - | .2260 |
| SSRIF8516 | .3125 | .5000 | .1562 | .1562 | .1875 | .1875 |

NOTE: BL NUMBERS SHOWN INCLUDE SS PREFIX INDICATING AISI 440C STAINLESS STEEL.

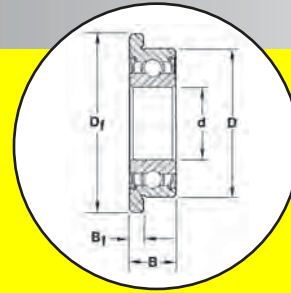
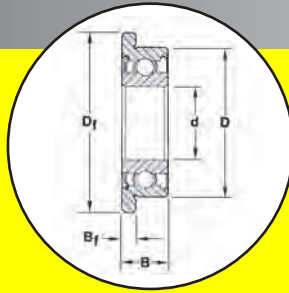
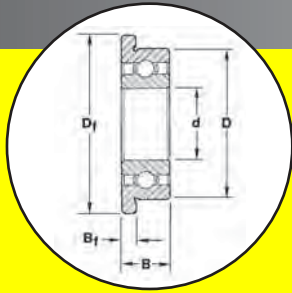
UNFLANGED METRIC SERIES



| BL BASIC NUMBER | BORE d mm | O.D. D mm | WIDTH B OPEN mm | WIDTH B 1 OR 2 SHIELDS mm |
|-----------------|-----------------|-----------------|--------------------------|------------------------------------|
| SSL310 | 1.0 | 3.0 | 1.0 | - |
| SSL415 | 1.5 | 4.0 | 1.2 | - |
| SSR515 | 1.5 | 5.0 | 2.0 | 2.6 |
| SSR615 | 1.5 | 6.0 | 2.5 | 3.0 |
| SSL520 | 2.0 | 5.0 | 1.5 | 2.3 |
| SSR620 | 2.0 | 6.0 | 2.3 | 3.0 |
| SSR720 | 2.0 | 7.0 | 2.8 | 3.5 |
| SSL625 | 2.5 | 6.0 | 1.8 | 2.6 |
| SSR725 | 2.5 | 7.0 | 2.5 | 3.5 |
| SSL630 | 3.0 | 6.0 | 2.0 | 2.5 |
| SSL730 | 3.0 | 7.0 | 2.0 | 3.0 |
| SSR830 | 3.0 | 8.0 | 3.0 | 4.0 |
| SSR930 | 3.0 | 9.0 | 3.0 | 5.0 |
| SSL740 | 4.0 | 7.0 | 2.0 | 2.5 |
| SSL840 | 4.0 | 8.0 | 2.0 | 3.0 |
| SSL940 | 4.0 | 9.0 | 2.5 | 4.0 |
| SSL1040 | 4.0 | 10.0 | 3.0 | 4.0 |
| SSR1140 | 4.0 | 11.0 | 4.0 | 4.0 |
| SSR1240 | 4.0 | 12.0 | 4.0 | 4.0 |
| SSL850 | 5.0 | 8.0 | 2.0 | 2.5 |
| SSL950 | 5.0 | 9.0 | 2.5 | 3.0 |
| SSL1050 | 5.0 | 10.0 | 3.0 | 4.0 |
| SSL1150 | 5.0 | 11.0 | 3.0 | 5.0 |
| SSL1150Y04 | 5.0 | 11.0 | 4.0 | 4.0 |
| SSR1350 | 5.0 | 13.0 | 4.0 | 4.0 |
| SSL1060 | 6.0 | 10.0 | 2.5 | 3.0 |
| SSL1260 | 6.0 | 12.0 | 3.0 | 4.0 |
| SSL1360 | 6.0 | 13.0 | 3.5 | 5.0 |
| SSR1560 | 6.0 | 15.0 | 5.0 | 5.0 |
| SSL1170 | 7.0 | 11.0 | 2.5 | 3.0 |
| SSL1370 | 7.0 | 13.0 | 3.0 | 4.0 |
| SSL1470 | 7.0 | 14.0 | 3.5 | 5.0 |
| SSL1280 | 8.0 | 12.0 | 2.5 | 3.5 |
| SSL1480 | 8.0 | 14.0 | 3.5 | 4.0 |
| SSL1680 | 8.0 | 16.0 | 4.0 | 5.0 |
| SSL1790 | 9.0 | 17.0 | 4.0 | 5.0 |
| SSL2090 | 9.0 | 20.0 | 5.0 | 6.0 |
| SSL1910 | 10.0 | 19.0 | 5.0 | 7.0 |

NOTE: BL NUMBERS SHOWN INCLUDE SS PREFIX INDICATING AISI 440C STAINLESS STEEL.

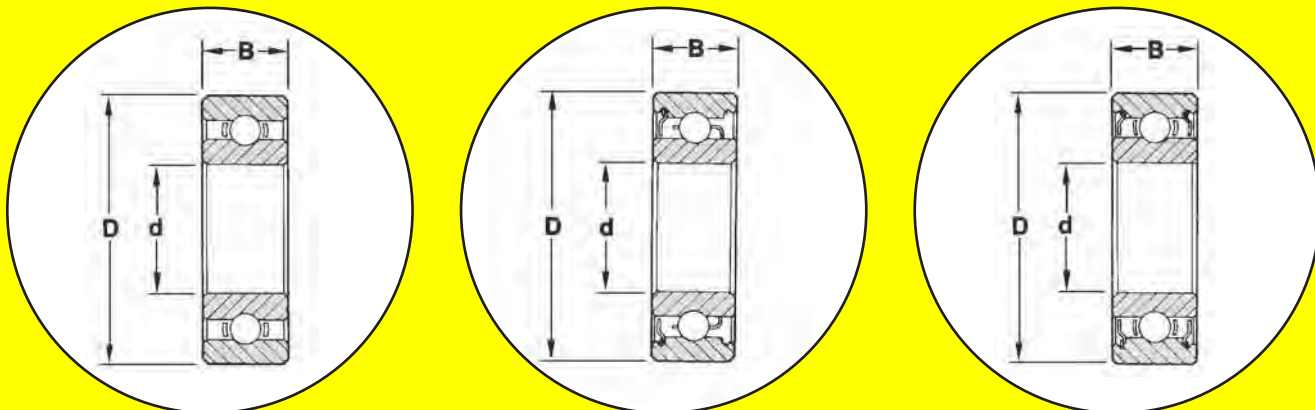
FLANGED METRIC SERIES



| BL BASIC NUMBER | BORE d mm | O.D. D mm | WIDTH B OPEN mm | WIDTH B 1 OR 2 SHIELDS mm | FLANGED O.D. Df | | FLANGE WIDTH Bf | |
|-----------------------|-----------------|-----------------|--------------------------|---------------------------------------|--------------------|----------------|--------------------|----------------|
| | | | | | OPEN mm | SHIELDED mm | OPEN mm | SHIELDED mm |
| SSLF310 | 1.0 | 3.0 | 1.0 | - | 3.8 | - | 0.3 | - |
| SSLF415 | 1.5 | 4.0 | 1.2 | - | 5.0 | - | 0.4 | - |
| SSRF515 | 1.5 | 5.0 | 2.0 | 2.6 | 6.5 | 6.5 | 0.6 | 0.8 |
| SSRF615 | 1.5 | 6.0 | 2.5 | 3.0 | 7.5 | 7.5 | 0.6 | 0.8 |
| SSLF520 | 2.0 | 5.0 | 1.5 | 2.3 | 6.1 | 6.1 | 0.5 | 0.6 |
| SSRF620 | 2.0 | 6.0 | 2.3 | 3.0 | 7.5 | 7.5 | 0.6 | 0.8 |
| SSRF720 | 2.0 | 7.0 | 2.8 | 3.5 | 8.5 | 8.5 | 0.7 | 0.9 |
| SSLF625 | 2.5 | 6.0 | 1.8 | 2.6 | 7.1 | 7.1 | 0.5 | 0.8 |
| SSRF725 | 2.5 | 7.0 | 2.5 | 3.5 | 8.5 | 8.5 | 0.7 | 0.9 |
| SSLF630 | 3.0 | 6.0 | 2.0 | 2.5 | 7.2 | 7.2 | 0.6 | 0.6 |
| SSLF730 | 3.0 | 7.0 | 2.0 | 3.0 | 8.1 | 8.1 | 0.5 | 0.8 |
| SSRF830 | 3.0 | 8.0 | 3.0 | 4.0 | 9.5 | 9.5 | 0.7 | 0.9 |
| SSRF930 | 3.0 | 9.0 | 3.0 | 5.0 | 10.5 | 10.5 | 0.7 | 1.0 |
| SSLF740 | 4.0 | 7.0 | 2.0 | 2.5 | 8.2 | 8.2 | 0.6 | 0.6 |
| SSLF840 | 4.0 | 8.0 | 2.0 | 3.0 | 9.2 | 9.2 | 0.6 | 0.6 |
| SSLF940 | 4.0 | 9.0 | 2.5 | 4.0 | 10.3 | 10.3 | 0.6 | 1.0 |
| SSLF1040 | 4.0 | 10.0 | 3.0 | 4.0 | 11.2 | 11.6 | 0.6 | 0.8 |
| SSRF1140 | 4.0 | 11.0 | 4.0 | 4.0 | 12.5 | 12.5 | 1.0 | 1.0 |
| SSRF1240 | 4.0 | 12.0 | 4.0 | 4.0 | 13.5 | 13.5 | 1.0 | 1.0 |
| SSLF850 | 5.0 | 8.0 | 2.0 | 2.5 | 9.2 | 9.2 | 0.6 | 0.6 |
| SSLF950 | 5.0 | 9.0 | 2.5 | 3.0 | 10.2 | 10.2 | 0.6 | 0.6 |
| SSLF1050 | 5.0 | 10.0 | 3.0 | 4.0 | 11.2 | 11.6 | 0.6 | 0.8 |
| SSLF1150 | 5.0 | 11.0 | 3.0 | 5.0 | 12.5 | 12.5 | 0.8 | 1.0 |
| SSLF1150Y04 | 5.0 | 11.0 | 4.0 | 4.0 | 12.6 | 12.6 | 0.8 | 0.8 |
| SSRF1350 | 5.0 | 13.0 | 4.0 | 4.0 | 15.0 | 15.0 | 1.0 | 1.0 |
| SSLF1060 | 6.0 | 10.0 | 2.5 | 3.0 | 11.2 | 11.2 | 0.6 | 0.6 |
| SSLF1260 | 6.0 | 12.0 | 3.0 | 4.0 | 13.2 | 13.6 | 0.6 | 0.8 |
| SSLF1360 | 6.0 | 13.0 | 3.5 | 5.0 | 15.0 | 15.0 | 1.0 | 1.1 |
| SSRF1560 | 6.0 | 15.0 | 5.0 | 5.0 | 17.0 | 17.0 | 1.2 | 1.2 |
| SSLF1170 | 7.0 | 11.0 | 2.5 | 3.0 | 12.2 | 12.2 | 0.6 | 0.6 |
| SSLF1370 | 7.0 | 13.0 | 3.0 | 4.0 | 14.2 | 14.6 | 0.6 | 0.8 |
| SSLF1470 | 7.0 | 14.0 | 3.5 | 5.0 | 16.0 | 16.0 | 1.0 | 1.1 |
| SSLF1280 | 8.0 | 12.0 | 2.5 | 3.5 | 13.2 | 13.6 | 0.6 | 0.8 |
| SSLF1480 | 8.0 | 14.0 | 3.5 | 4.0 | 15.6 | 15.6 | 0.8 | 0.8 |
| SSLF1680 | 8.0 | 16.0 | 4.0 | 5.0 | 18.0 | 18.0 | 1.0 | 1.1 |
| SSLF1790 | 9.0 | 17.0 | 4.0 | 5.0 | 19.0 | 19.0 | 1.0 | 1.1 |

NOTE: BL NUMBERS SHOWN INCLUDE SS PREFIX INDICATING AISI 440C STAINLESS STEEL.

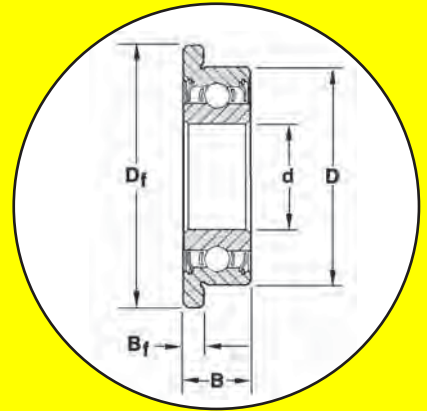
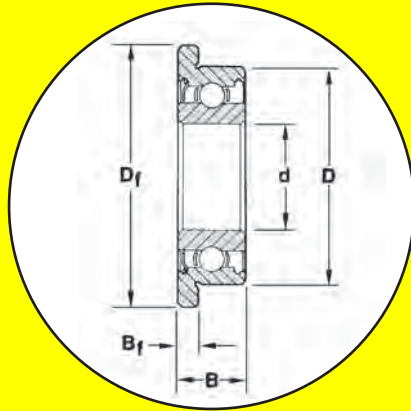
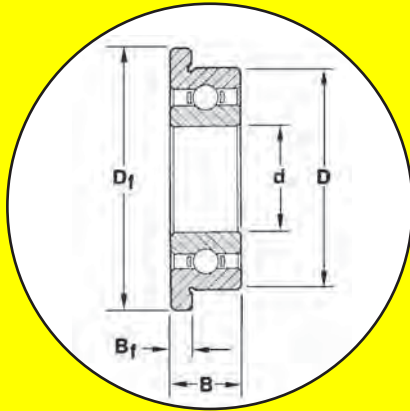
UNFLANGED 600 SERIES



| BL BASIC NUMBER | BORE d mm | O.D. D mm | WIDTH B OPEN mm | WIDTH B 1 OR 2 SHIELDS mm |
|-----------------|-----------------|-----------------|--------------------------|------------------------------------|
| SS623 | 3.0 | 10.0 | 4.0 | 4.0 |
| SS624 | 4.0 | 13.0 | 5.0 | 5.0 |
| SS634 | 4.0 | 16.0 | 5.0 | 5.0 |
| SS605 | 5.0 | 14.0 | 5.0 | 5.0 |
| SS625 | 5.0 | 16.0 | 5.0 | 5.0 |
| SS635 | 5.0 | 19.0 | 6.0 | 6.0 |
| SS606 | 6.0 | 17.0 | 6.0 | 6.0 |
| SS626 | 6.0 | 19.0 | 6.0 | 6.0 |
| SS636 | 6.0 | 22.0 | 7.0 | 7.0 |
| SS607 | 7.0 | 19.0 | 6.0 | 6.0 |
| SS627 | 7.0 | 22.0 | 7.0 | 7.0 |
| SS608 | 8.0 | 22.0 | 7.0 | 7.0 |
| SS628 | 8.0 | 24.0 | 8.0 | 8.0 |
| SS638 | 8.0 | 28.0 | 9.0 | 9.0 |
| SS609 | 9.0 | 24.0 | 7.0 | 7.0 |
| SS629 | 9.0 | 26.0 | 8.0 | 8.0 |

NOTE: BL NUMBERS SHOWN INCLUDE SS PREFIX INDICATING AISI 440C STAINLESS STEEL.

FLANGED 600 SERIES



| BL BASIC NUMBER | BORE d mm | O.D. D mm | WIDTH B OPEN mm | WIDTH B 1 OR 2 SHIELDS mm | FLANGED O.D. Df | | FLANGE WIDTH Bf | |
|-----------------------|-----------------|-----------------|--------------------------|---------------------------------------|--------------------|----------------|--------------------|----------------|
| | | | | | OPEN mm | SHIELDED mm | OPEN mm | SHIELDED mm |
| SSF623 | 3.0 | 10.0 | 4.0 | 4.0 | 11.5 | 11.5 | 1.0 | 1.0 |
| SSF624 | 4.0 | 13.0 | 5.0 | 5.0 | 15.0 | 15.0 | 1.0 | 1.0 |
| SSF634 | 4.0 | 16.0 | 5.0 | 5.0 | 18.0 | 18.0 | 1.0 | 1.0 |
| SSF605 | 5.0 | 14.0 | 5.0 | 5.0 | 16.0 | 16.0 | 1.0 | 1.0 |
| SSF625 | 5.0 | 16.0 | 5.0 | 5.0 | 18.0 | 18.0 | 1.0 | 1.0 |
| SSF635 | 5.0 | 19.0 | 6.0 | 6.0 | 22.0 | 22.0 | 1.5 | 1.5 |
| SSF606 | 6.0 | 17.0 | 6.0 | 6.0 | 19.0 | 19.0 | 1.2 | 1.2 |
| SSF626 | 6.0 | 19.0 | 6.0 | 6.0 | 22.0 | 22.0 | 1.5 | 1.5 |
| SSF607 | 7.0 | 19.0 | 6.0 | 6.0 | 22.0 | 22.0 | 1.5 | 1.5 |
| SSF627 | 7.0 | 22.0 | 7.0 | 7.0 | 25.0 | 25.0 | 1.5 | 1.5 |
| SSF608 | 8.0 | 22.0 | 7.0 | 7.0 | 25.0 | 25.0 | 1.5 | 1.5 |
| SSF609 | 9.0 | 24.0 | 7.0 | 7.0 | 27.0 | 27.0 | 1.5 | 1.5 |

NOTE: BL NUMBERS SHOWN INCLUDE SS PREFIX INDICATING AISI 440C STAINLESS STEEL.

TOLERANCES

MINIATURE AND INSTRUMENT BALL BEARINGS

INNER RING

| CHARACTERISTIC | ABEC 1 | ABEC 3 | ABEC 5 | ABEC 7 | ABEC 9 |
|----------------------------------|------------------|------------------|------------------|------------------|------------------|
| Bore Tolerance Limits | +0.000 -0.003 | +0.000 -0.002 | +0.000 -0.002 | +0.000 -0.002 | +0.000 -0.001 |
| Radial Runout Width Variation | .0003 - | .0002 - | .00015 .0002 | .0001 .0001 | .00005 .00005 |

OUTER RING

| CHARACTERISTIC | CONFIGURATION | SIZE RANGE | ABEC 1 | ABEC 3 | ABEC 5 | ABEC 7 | ABEC 9 |
|----------------------------------|---------------|--------------|------------------|------------------|--------------------|--------------------|-------------------|
| Mean OD Tolerance Limits | All | 0-18mm | +0.000 -0.003 | +0.000 -0.003 | +0.000 -0.002 | +0.000 -0.002 | +0.000 -0.001 |
| | All | Over 18-30mm | +0.000 -0.004 | +0.000 -0.003 | +0.000 -0.002 | +0.000 -0.002 | +0.000 -0.0015 |
| Maximum OD Tolerance Limits | Open | 0-18mm | +0.001 -0.004 | +0.001 -0.004 | +0.000 -0.002 | +0.000 -0.002 | +0.000 -0.001 |
| | | over 18-30mm | +0.001 -0.005 | +0.001 -0.004 | +0.000 -0.002 | +0.000 -0.002 | +0.000 -0.0015 |
| | Shielded | 0-18mm | +0.002 -0.005 | +0.002 -0.005 | +0.0004 -0.0024 | +0.0004 -0.0024 | - - |
| | | over 18-30mm | +0.002 -0.006 | +0.002 -0.005 | +0.0004 -0.0024 | +0.0004 -0.0024 | - - |
| Radial Runout | All | 0-18mm | .0006 | .0004 | .0002 | .00015 | .00005 |
| Width Variation | All | over 18-30mm | .0006 | .0004 | .0002 | .00015 | .0001 |
| Flange Width Tolerance Limits | All | 0-30mm | - | - | .0002 | .0001 | .00005 |
| Flange Diameter Tolerance | | - | - | +0.000 | +0.000 | +0.000 | - |
| | | - | - | -0.020 | -0.020 | -0.020 | - |
| Flange Diameter Tolerance | | - | - | +0.050 | +0.000 | +0.000 | - |
| | | - | - | -0.020 | -0.010 | -0.010 | - |

RING WIDTH

| CHARACTERISTIC | CONFIGURATION | ABEC 1 | ABEC 3 | ABEC 5 | ABEC 7 | ABEC 9 |
|-----------------|----------------|------------------|------------------|------------------|------------------|------------------|
| Width Tolerance | Single Bearing | +0.000 -0.005 | +0.000 -0.005 | +0.000 -0.001 | +0.000 -0.001 | +0.000 -0.001 |

INTERCHANGE

The following interchange represents the most commonly used manufacturer's part numbers and the Bearings Limited equivalent to each.

Great care has been taken to insure the accuracy of the data contained in this catalog.

Bearings Limited assumes no liability for errors or omissions.

The following is a list of abbreviations/Brands that are represented in this interchange.

| | | | |
|--------|-------------------------------------|---------------|------------------------|
| ADR | ADR Bearing | France | Div. of SKF |
| BARDEN | The Barden Corp. | USA | Div. of FAG |
| EZO | Sapporo Precision Inc. | Japan | |
| FAFNIR | Fafnir Bearing | USA | Div. of Torrington Co. |
| FAG | FAG Kugelfischer Georg Schafer KGaA | Germany & USA | |
| GRW | Gebrueder Reinfurt GmbH Wuerzburg | Germany | |
| KUBAR | Pacamor Kubar | USA | |
| MPB | Miniature Precision Bearings | USA | Div. of Timken |
| MRC | MRC Bearings | USA | Div. of SKF |
| ND | New Departure Hyatt | USA | |
| NHBB | New Hampshire Ball Bearing | USA | Div. of NMB Corp. |
| NMB | Nippon Miniature Bearing | Japan | |
| NTN | NTN-Toyo Bearing Co. | Japan | |
| RMB | RMB Bearing | Switzerland | |

| PART # | MANUF. | BL # | PAGE # |
|---------|--------|----------|--------|
| 34 | MRC | 634 | 11 |
| 34 FF | MRC | 634 ZZ | 11 |
| 34 FFST | MRC | SS634 ZZ | 11 |
| 34-5K | BARDEN | 625 | 11 |
| 34-5SS | BARDEN | 625 ZZ | 11 |
| 34D | ND | 634 | 11 |
| 34K | BARDEN | 634 | 11 |
| 34K | FAFNIR | 634 | 11 |
| 34KDD | FAFNIR | 634 ZZ | 11 |
| 34SS | BARDEN | 634 ZZ | 11 |
| 34ST | MRC | SS634 | 11 |
| 35 | MRC | 635 | 11 |
| 35 FF | MRC | 635 ZZ | 11 |
| 35 FFST | MRC | SS635 ZZ | 11 |
| 35K | BARDEN | 635 | 11 |
| 35K | FAFNIR | 635 | 11 |
| 35KDD | FAFNIR | 635 ZZ | 11 |
| 35SS | BARDEN | 635 ZZ | 11 |
| 35ST | MRC | SS635 | 11 |
| 35U | ND | 635 | 11 |
| 36 | MRC | 626 | 11 |
| 36 FF | MRC | 626 ZZ | 11 |
| 36 FFST | MRC | SS626 ZZ | 11 |
| 36K | BARDEN | 626 | 11 |
| 36K | FAFNIR | 626 | 11 |
| 36KDD | FAFNIR | 626 ZZ | 11 |
| 36SS | BARDEN | 626 ZZ | 11 |
| 36ST | MRC | SS626 | 11 |
| 36U | ND | 626 | 11 |
| 37 | MRC | 627 | 11 |
| 37 FF | MRC | 627 ZZ | 11 |
| 37 FFST | MRC | SS627 ZZ | 11 |
| 37K | BARDEN | 627 | 11 |
| 37K | FAFNIR | 627 | 11 |
| 37KDD | FAFNIR | 627 ZZ | 11 |
| 37SS | BARDEN | 627 ZZ | 11 |
| 37ST | MRC | SS627 | 11 |
| 37U | ND | 627 | 11 |
| 38 | MRC | 608 | 11 |
| 38 FF | MRC | 608 ZZ | 11 |
| 38 FFST | MRC | SS608 ZZ | 11 |
| 38K | BARDEN | 608 | 11 |
| 38K | FAFNIR | 608 | 11 |
| 38KDD | FAFNIR | 608 ZZ | 11 |
| 38SS | BARDEN | 608 ZZ | 11 |
| 38ST | MRC | SS608 | 11 |
| 38U | ND | 608 | 11 |
| 39 | MRC | 629 | 11 |
| 39 | ND | 629 | 11 |
| 39 FF | MRC | 629 ZZ | 11 |
| 39 FFST | MRC | SS629 ZZ | 11 |
| 39SS | BARDEN | 629 ZZ | 11 |
| 39ST | MRC | SS629 | 11 |
| 60/1.5 | NTN | R615 | 9 |
| 60/2.5 | ADR | R825 | 9 |

| PART # | MANUF. | BL # | PAGE # |
|-----------|--------|-----------|--------|
| 60/2.5 | GRW | R825 | 9 |
| 60/2.5 | NTN | R825 | 9 |
| 60/2.5 2Z | GRW | R825ZZ | 9 |
| 601X | EZO | R615 | 9 |
| 601XH | EZO | SSR615 | 9 |
| 601XHZZ | EZO | SSR615ZZ | 9 |
| 601XZZ | EZO | R615ZZ | 9 |
| 602 | EZO | R720 | 9 |
| 602 | NTN | R720 | 9 |
| 602H | EZO | SSR720 | 9 |
| 602HZZ | EZO | SSR720ZZ | 9 |
| 602X | EZO | R825 | 9 |
| 602XH | EZO | SSR825 | 9 |
| 602XHZZ | EZO | SSR825 | 9 |
| 602XZZ | EZO | R825 | 9 |
| 602ZZ | EZO | R720ZZ | 9 |
| 603 | EZO | R930 | 9 |
| 603 | NTN | R930 | 9 |
| 603H | EZO | SSR930 | 9 |
| 603HZZ | EZO | SSR930ZZ | 9 |
| 603ZZ | EZO | R930ZZ | 9 |
| 604 | ADR | R1240 | 9 |
| 604 | EZO | R1240 | 9 |
| 604 | NTN | R1240 | 9 |
| 604H | EZO | SSR1240 | 9 |
| 604HZZ | EZO | SSR1240ZZ | 9 |
| 604ZZ | ADR | R1240ZZ | 9 |
| 604ZZ | EZO | R1240ZZ | 9 |
| 604ZZ | NTN | R1240ZZ | 9 |
| 605 | EZO | 605 | 11 |
| 605 | NTN | 605 | 11 |
| 605H | EZO | SS605 | 11 |
| 605HZZ | EZO | SS605 ZZ | 11 |
| 605ZZ | EZO | 605 ZZ | 11 |
| 605ZZ | NTN | 605 ZZ | 11 |
| 606 | EZO | 606 | 11 |
| 606 | NTN | 606 | 11 |
| 606H | EZO | SS606 | 11 |
| 606HZZ | EZO | SS606 ZZ | 11 |
| 606ZZ | EZO | 606 ZZ | 11 |
| 606ZZ | NTN | 606 ZZ | 11 |
| 607 | ADR | 607 | 11 |
| 607 | EZO | 607 | 11 |
| 607 | GRW | 607 | 11 |
| 607 | NTN | 607 | 11 |
| 607 2Z | GRW | 607 ZZ | 11 |
| 607H | EZO | SS607 | 11 |
| 607HZZ | EZO | SS607 ZZ | 11 |
| 607ZZ | ADR | 607 ZZ | 11 |
| 607ZZ | EZO | 607 ZZ | 11 |
| 607ZZ | NTN | 607 ZZ | 11 |
| 608 | ADR | 608 | 11 |
| 608 | EZO | 608 | 11 |
| 608 | GRW | 608 | 11 |
| 608 | NTN | 608 | 11 |

| PART # | MANUF. | BL # | PAGE # |
|---------|--------|----------|--------|
| 608 ZZ | GRW | 608 ZZ | 11 |
| 608H | EZO | SS608 | 11 |
| 608HZZ | EZO | SS608 ZZ | 11 |
| 608ZZ | ADR | 608 ZZ | 11 |
| 608ZZ | EZO | 608 ZZ | 11 |
| 608ZZ | NTN | 608 ZZ | 11 |
| 617/3 | ADR | L630 | 9 |
| 617/4 | ADR | L740 | 9 |
| 617/5 | ADR | L850 | 9 |
| 617/6 | ADR | L1060 | 9 |
| 617/7 | ADR | L1170 | 9 |
| 617/8 | ADR | L1280 | 9 |
| 619/1.5 | ADR | R515 | 9 |
| 619/3 | ADR | R830 | 9 |
| 623 | ADR | 623 | 11 |
| 623 | EZO | 623 | 11 |
| 623 | GRW | 623 | 11 |
| 623 | NTN | 623 | 11 |
| 623 ZZ | GRW | 623 ZZ | 11 |
| 623H | EZO | SS623 | 11 |
| 623HZZ | EZO | SS623 ZZ | 11 |
| 623ZZ | ADR | 623 ZZ | 11 |
| 623ZZ | EZO | 623 ZZ | 11 |
| 623ZZ | NTN | 623 ZZ | 11 |
| 624 | ADR | 624 | 11 |
| 624 | EZO | 624 | 11 |
| 624 | GRW | 624 | 11 |
| 624 | NTN | 624 | 11 |
| 624 ZZ | GRW | 624 ZZ | 11 |
| 624H | EZO | SS624 | 11 |
| 624HZZ | EZO | SS624 ZZ | 11 |
| 624ZZ | ADR | 624 ZZ | 11 |
| 624ZZ | EZO | 624 ZZ | 11 |
| 624ZZ | NTN | 624 ZZ | 11 |
| 625 | ADR | 625 | 11 |
| 625 | EZO | 625 | 11 |
| 625 | GRW | 625 | 11 |
| 625 | NTN | 625 | 11 |
| 625 ZZ | GRW | 625 ZZ | 11 |
| 625H | EZO | SS625 | 11 |
| 625HZZ | EZO | SS625 ZZ | 11 |
| 625ZZ | ADR | 625 ZZ | 11 |
| 625ZZ | EZO | 625 ZZ | 11 |
| 625ZZ | NTN | 625 ZZ | 11 |
| 626 | ADR | 626 | 11 |
| 626 | EZO | 626 | 11 |
| 626 | GRW | 626 | 11 |
| 626 | NTN | 626 | 11 |
| 626 ZZ | GRW | 626 ZZ | 11 |
| 626H | EZO | SS626 | 11 |
| 626HZZ | ESO | SS626 ZZ | 11 |
| 626ZZ | ADR | 626 ZZ | 11 |
| 626ZZ | EZO | 626 ZZ | 11 |
| 626ZZ | NTN | 626 ZZ | 11 |
| 627 | ADR | 627 | 11 |

| PART # | MANUF. | BL # | PAGE # |
|-----------|--------|-----------|--------|
| 627 | EZO | 627 | 11 |
| 627 | GRW | 627 | 11 |
| 627 | NTN | 627 | 11 |
| 627 ZZ | GRW | 627 ZZ | 11 |
| 627H | EZO | SS627 | 11 |
| 627HZZ | EZO | SS627 ZZ | 11 |
| 627ZZ | ADR | 627 ZZ | 11 |
| 627ZZ | EZO | 627 ZZ | 11 |
| 627ZZ | NTN | 627 ZZ | 11 |
| 628/6ZZ | ADR | L1360ZZ | 9 |
| 629 | ADR | 629 | 11 |
| 629 | EZO | 629 | 11 |
| 629 | GRW | 629 | 11 |
| 629 | NTN | 629 | 11 |
| 629 ZZ | GRW | 629 ZZ | 11 |
| 629H | EZO | SS629 | 11 |
| 629HZZ | EZO | SS629 ZZ | 11 |
| 629ZZ | ADR | 629 ZZ | 11 |
| 629ZZ | EZO | 629 ZZ | 11 |
| 634 | ADR | 634 | 11 |
| 634 | EZO | 634 | 11 |
| 634 | GRW | 634 | 11 |
| 634 | NTN | 634 | 11 |
| 634 ZZ | GRW | 634 ZZ | 11 |
| 634H | EZO | SS634 | 11 |
| 634HZZ | EZO | SS634 ZZ | 11 |
| 634ZZ | ADR | 634 ZZ | 11 |
| 634ZZ | EZO | 634 ZZ | 11 |
| 634ZZ | NTN | 634 ZZ | 11 |
| 637/8ZZ | ADR | L1280ZZ | 9 |
| 638/4ZZ | ADR | L940ZZ | 9 |
| 638/5ZZ | ADR | L1150ZZ | 9 |
| 639/3ZZ | ADR | R830ZZ | 9 |
| 673 | NTN | L630 | 9 |
| 674 | NTN | L740 | 9 |
| 675 | NTN | L850 | 9 |
| 676 | NTN | L1060 | 9 |
| 677 | NTN | L1170 | 9 |
| 678 | NTN | L1280 | 9 |
| 68/1.5 | GRW | L415 | 9 |
| 68/1.5 | NTN | L415 | 9 |
| 68/1.5 ZZ | GRW | L415ZZ | 9 |
| 68/2.5 | GRW | L625 | 9 |
| 68/2.5 | NTN | L625 | 9 |
| 68/2.5 ZZ | GRW | L625ZZ | 9 |
| 6800 | EZO | L1910 | 9 |
| 6800H | EZO | SSL1910 | 9 |
| 681 | EZO | L310 | 9 |
| 681 | GRW | L310 | 9 |
| 681 | NTN | L310 | 9 |
| 681H | EZO | SSL310 | 9 |
| 681X | EZO | L415 | 9 |
| 681XH | EZO | SSL415 | 9 |
| 681XHZZ | EZO | SSL415 ZZ | 9 |
| 681XZZ | EZO | L415 ZZ | 9 |

| PART # | MANUF. | BL # | PAGE # |
|---------|--------|-----------|--------|
| 682 | EZO | L520 | 9 |
| 682 | GRW | L520 | 9 |
| 682 | NTN | L520 | 9 |
| 682 2Z | GRW | L520ZZ | 9 |
| 682H | EZO | SSL520 | 9 |
| 682HZZ | EZO | SSL520ZZ | 9 |
| 682X | EZO | L625 | 9 |
| 682XH | EZO | SSL625 | 9 |
| 682XHZZ | EZO | SSL625ZZ | 9 |
| 682XZZ | EZO | L625ZZ | 9 |
| 682ZZ | EZO | L520ZZ | 9 |
| 683 | EZO | L730 | 9 |
| 683 | GRW | L730 | 9 |
| 683 | NTN | L730 | 9 |
| 683 2Z | GRW | L730ZZ | 9 |
| 683H | EZO | SSL730 | 9 |
| 683HZZ | EZO | SSL730ZZ | 9 |
| 683ZZ | EZO | L730ZZ | 9 |
| 684 | EZO | L940 | 9 |
| 684 | GRW | L940 | 9 |
| 684 | NTN | L940 | 9 |
| 684 2Z | GRW | L940ZZ | 9 |
| 684H | EZO | SSL940 | 9 |
| 684HZZ | EZO | SSL940ZZ | 9 |
| 684ZZ | EZO | L940ZZ | 9 |
| 685 | EZO | L1150 | 9 |
| 685 | GRW | L1150 | 9 |
| 685 | NTN | L1150 | 9 |
| 685 2Z | GRW | L1150ZZ | 9 |
| 685H | EZO | SSL1150 | 9 |
| 685HZZ | EZO | SSL1150ZZ | 9 |
| 685ZZ | EZO | L1150ZZ | 9 |
| 686 | EZO | L1360 | 9 |
| 686 | GRW | L1360 | 9 |
| 686 | NTN | L1360 | 9 |
| 686 2Z | GRW | L1360ZZ | 9 |
| 686H | EZO | SSL1360 | 9 |
| 686HZZ | EZO | SSL1360ZZ | 9 |
| 686ZZ | EZO | L1360ZZ | 9 |
| 687 | EZO | L1470 | 9 |
| 687 | GRW | L1470 | 9 |
| 687 | NTN | L1470 | 9 |
| 687 2Z | GRW | L1470ZZ | 9 |
| 687H | EZO | SSL1470 | 9 |
| 687HZZ | EZO | SSL1470ZZ | 9 |
| 687ZZ | EZO | L1470ZZ | 9 |
| 688 | EZO | L1680 | 9 |
| 688 | GRW | L1680 | 9 |
| 688 | NTN | L1680 | 9 |
| 688H | EZO | SSL1680 | 9 |
| 688HZZ | EZO | SSL1680ZZ | 9 |
| 688ZZ | EZO | L1680ZZ | 9 |
| 689 | EZO | L1790 | 9 |
| 689 | GRW | L1790 | 9 |
| 689 | NTN | L1790 | 9 |

| PART # | MANUF. | BL # | PAGE # |
|-----------|--------|-----------|--------|
| 689H | EZO | SSL1790 | 9 |
| 689HZZ | EZO | SSL1790ZZ | 9 |
| 689ZZ | EZO | L1790ZZ | 9 |
| 69/1.5 | GRW | R515 | 9 |
| 69/1.5 | NTN | R515 | 9 |
| 69/1.5 2Z | GRW | R515ZZ | 9 |
| 69/2.5 | GRW | R725 | 9 |
| 69/2.5 | NTN | R725 | 9 |
| 69/2.5 2Z | GRW | R725ZZ | 9 |
| 691X | EZO | R515 | 9 |
| 691XH | EZO | SSR515 | 9 |
| 691XHZZ | EZO | SSR515ZZ | 9 |
| 691XZZ | EZO | R515ZZ | 9 |
| 692 | EZO | R620 | 9 |
| 692 | GRW | R620 | 9 |
| 692 | NTN | R620 | 9 |
| 692 2Z | GRW | R620ZZ | 9 |
| 692H | EZO | SSR620 | 9 |
| 692HZZ | EZO | SSR620ZZ | 9 |
| 692X | EZO | R725 | 9 |
| 692XH | EZO | SSR725 | 9 |
| 692XHZZ | EZO | SSR725ZZ | 9 |
| 692XZZ | EZO | R725ZZ | 9 |
| 692ZZ | EZO | R620ZZ | 9 |
| 693 | EZO | R830 | 9 |
| 693 | GRW | R830 | 9 |
| 693 | NTN | R830 | 9 |
| 693 2Z | GRW | R830ZZ | 9 |
| 693H | EZO | SSR830 | 9 |
| 693HZZ | EZO | SSR830ZZ | 9 |
| 693ZZ | EZO | R830ZZ | 9 |
| 694 | EZO | R1140 | 9 |
| 694 | GRW | R1140 | 9 |
| 694 | NTN | R1140 | 9 |
| 694 2Z | GRW | R1140ZZ | 9 |
| 694H | EZO | SSR1140 | 9 |
| 694HZZ | EZO | SSR1140ZZ | 9 |
| 694ZZ | EZO | R1140ZZ | 9 |
| 694ZZ | NTN | R1140ZZ | 9 |
| 695 | EZO | R1350 | 9 |
| 695 | GRW | R1350 | 9 |
| 695 | NTN | R1350 | 9 |
| 695 2Z | GRW | R1350ZZ | 9 |
| 695H | EZO | SSR1350 | 9 |
| 695HZZ | EZO | SSR1350ZZ | 9 |
| 695ZZ | EZO | R1350ZZ | 9 |
| 695ZZ | NTN | R1350ZZ | 9 |
| 696 | EZO | R1560 | 9 |
| 696 | GRW | R1560 | 9 |
| 696 | NTN | R1560 | 9 |
| 696 2Z | GRW | R1560ZZ | 9 |
| 696H | EZO | SSR1560 | 9 |
| 696HZZ | EZO | SSR1560ZZ | 9 |
| 696ZZ | EZO | R1560ZZ | 9 |
| 696ZZ | NTN | R1560ZZ | 9 |

| PART # | MANUF. | BL # | PAGE # |
|-----------|--------|------------|--------|
| 699 | EZO | L2090 | 9 |
| 699 | GRW | L2090 | 9 |
| 699 | NTN | L2090 | 9 |
| 699 2Z | GRW | L2090ZZ | 9 |
| 699H | EZO | SSL2090 | 9 |
| 699HZZ | EZO | SSL2090ZZ | 9 |
| 699ZZ | EZO | L2090ZZ | 9 |
| 699ZZ | NTN | L2090ZZ | 9 |
| 77034D | ND | 634 ZZ | 11 |
| 77035U | ND | 635 ZZ | 11 |
| 77036U | ND | 626 ZZ | 11 |
| 77037U | ND | 627 ZZ | 11 |
| 77038U | ND | 608 ZZ | 11 |
| 77039 | ND | 629 ZZ | 11 |
| 77M0310 | ND | SSRI2 1/2Z | 5 |
| 77M0516 | ND | SSRI-4ZZ | 5 |
| 77M0612 | ND | SSRI3332ZZ | 5 |
| 77M0620 | ND | SSRI-5ZZ | 5 |
| 77M0816 | ND | SSRI418ZZ | 5 |
| 77M0820 | ND | SSRI518ZZ | 5 |
| 77M1020 | ND | SSRI5532ZZ | 5 |
| 77M1220 | ND | SSRI5632ZZ | 5 |
| 77M1224 | ND | SSRI6632ZZ | 5 |
| 77M1624 | ND | SSRI614ZZ | 5 |
| 77M1632 | ND | SSRI814ZZ | 5 |
| 77M2032 | ND | SSRI8516ZZ | 5 |
| 77NM0310 | ND | SSRIF2 1/2 | 6 |
| 77NM0412A | ND | SSRIF-3ZZ | 6 |
| 77NM0516 | ND | SSRIF-5ZZ | 6 |
| 77NM0612 | ND | SSRIF3332Z | 6 |
| 77NM0620 | ND | SSRIF-5ZZ | 6 |
| 77NM0816 | ND | SSRIF418ZZ | 6 |
| 77NM0820 | ND | SSRIF518ZZ | 6 |
| 77NM1020 | ND | SSRIF5532Z | 6 |
| 77NM1220 | ND | SSRIF5632Z | 6 |
| 77NM1224 | ND | SSRIF6663Z | 6 |
| 77NM1624 | ND | SSRIF614ZZ | 6 |
| 77NM1632 | ND | SSRIF814ZZ | 6 |
| 77NM2032 | ND | SSRIF8516Z | 6 |
| 7M0412A | ND | SSRI-3ZZ | 5 |
| A10K20 | FAFNIR | SSRIF5532 | 6 |
| A10K20DD | FAFNIR | SSRI5532ZZ | 5 |
| A12K20 | FAFNIR | SSRI5632 | 5 |
| A12K20DD | FAFNIR | SSRI5632ZZ | 5 |
| A12K24 | FAFNIR | SSRI6632 | 5 |
| A12K24DD | FAFNIR | SSRI6632ZZ | 5 |
| A16K24 | FAFNIR | SSRI614 | 5 |
| A16K24DD | FAFNIR | SSRI614ZZ | 5 |
| A33K3 | FAFNIR | SSR2 | 5 |
| A33K4 | FAFNIR | SSR2A | 5 |
| A33K5 | FAFNIR | SSR3 | 5 |
| A33KDD3 | FAFNIR | SSR2 ZZ | 5 |
| A33KDD4 | FAFNIR | SSR2A ZZ | 5 |
| A33KDD5 | FAFNIR | SSR3 ZZ | 5 |
| A34K | FAFNIR | SS634 | 11 |

| PART # | MANUF. | BL # | PAGE # |
|-----------|--------|------------|--------|
| A34KDD | FAFNIR | SS634 ZZ | 11 |
| A35K | FAFNIR | SS635 | 11 |
| A35KDD | FAFNIR | SS635 ZZ | 11 |
| A36K | FAFNIR | SS626 | 11 |
| A36KDD | FAFNIR | SS626 ZZ | 11 |
| A37K | FAFNIR | SS627 | 11 |
| A37KDD | FAFNIR | SS627 ZZ | 11 |
| A38K | FAFNIR | SS608 | 11 |
| A38KDD | FAFNIR | SS608 ZZ | 11 |
| A5K16 | FAFNIR | SSRI-4 | 5 |
| A5K16DD | FAFNIR | SSRI-4ZZ | 5 |
| A6K12 | FAFNIR | SSRI3332 | 5 |
| A6K12DD | FAFNIR | SSRI3332ZZ | 5 |
| A6K20 | FAFNIR | SSRI-5 | 5 |
| A6K20DD | FAFNIR | SSRI-5ZZ | 5 |
| A8K16 | FAFNIR | SSRI418 | 5 |
| A8K16DD | FAFNIR | SSRI418ZZ | 5 |
| A8K20 | FAFNIR | SSRI518 | 5 |
| A8K20DD | FAFNIR | SSRI518ZZ | 5 |
| AF10K20 | FAFNIR | SSRIF5532 | 6 |
| AF10K20DD | FAFNIR | SSRIF5532Z | 6 |
| AF12K20 | FAFNIR | SSRIF5632 | 6 |
| AF12K20DD | FAFNIR | SSRIF5632Z | 6 |
| AF12K24 | FAFNIR | SSRIF6632 | 6 |
| AF12K24DD | FAFNIR | SSRIF6632Z | 6 |
| AF16K24 | FAFNIR | SSRIF614 | 6 |
| AF16K24DD | FAFNIR | SSRIF614ZZ | 6 |
| AF33K3 | FAFNIR | SSFR2 | 6 |
| AF33K5 | FAFNIR | SSFR3 | 6 |
| AF33KDD3 | FAFNIR | SSFR2 ZZ | 6 |
| AF33KDD5 | FAFNIR | SSFR3 ZZ | 6 |
| AF5K16 | FAFNIR | SSRIF-4 | 6 |
| AF5K16DD | FAFNIR | SSRIF-4ZZ | 6 |
| AF6K12 | FAFNIR | SSRIF3332 | 6 |
| AF6K12DD | FAFNIR | SSRIF3332Z | 6 |
| AF6K20 | FAFNIR | SSRIF-5 | 6 |
| AF6K20DD | FAFNIR | SSRIF-5ZZ | 6 |
| AF8K16 | FAFNIR | SSRIF418 | 6 |
| AF8K16DD | FAFNIR | SSRIF418ZZ | 6 |
| AF8K20 | FAFNIR | SSRIF518 | 6 |
| AF8K20DD | FAFNIR | SSRIF518ZZ | 6 |
| AFS1K7 | FAFNIR | SSFR4 | 6 |
| AFS1KDD7 | FAFNIR | SSFR4 ZZ | 6 |
| AFS3K | FAFNIR | SSFR6 | 6 |
| AFS3KDD | FAFNIR | SSFR6 ZZ | 6 |
| AS1K | FAFNIR | SSR4A | 5 |
| AS1K7 | FAFNIR | SSR4 | 5 |
| AS1KDD | FAFNIR | SSR4A ZZ | 5 |
| AS1KDD7 | FAFNIR | SSR4 ZZ | 5 |
| AS3K | FAFNIR | SSR6 | 5 |
| AS3KDD | FAFNIR | SSR6 ZZ | 5 |
| AS5K | FAFNIR | SSR8 | 5 |
| AS5KDD | FAFNIR | SSR8 ZZ | 5 |
| AX1 | ADR | L310 | 9 |
| AX1.5 | ADR | L415 | 9 |

| PART # | MANUF. | BL # | PAGE # |
|---------------|--------|-----------|--------|
| AX1.5ZZ | ADR | L415ZZ | 9 |
| AX2.5 | ADR | L625 | 9 |
| AX2.5ZZ | ADR | L625ZZ | 9 |
| AX2ZZ | ADR | R620ZZ | 9 |
| AX3 | ADR | L730 | 9 |
| AX3ZZ | ADR | L730ZZ | 9 |
| AX4 | ADR | L940 | 9 |
| AX6 | ADR | L1360 | 9 |
| AX7 | ADR | L1470 | 9 |
| AX7ZZ | ADR | L1470ZZ | 9 |
| AY4 | ADR | R1140 | 9 |
| AY4ZZ | ADR | R1140ZZ | 9 |
| AY5 | ADR | R1350 | 9 |
| AY5ZZ | ADR | R1350ZZ | 9 |
| AY6 | ADR | R1560 | 9 |
| AY6ZZ | ADR | R1560ZZ | 9 |
| AY9 | ADR | L2090 | 9 |
| AY9ZZ | ADR | L2090ZZ | 9 |
| BR1/4 | GRW | SSR4A | 5 |
| BR1/4 ZZ | GRW | SSR4A ZZ | 5 |
| BR1/4A | GRW | SSR4 | 5 |
| BR1/4Z ZZ | GRW | SSR4 ZZ | 5 |
| BR1/8A | GRW | SSRI518 | 5 |
| BR1/8A ZZ | GRW | SSRI518ZZ | 5 |
| BR1/8A/6 | GRW | SSRI618 | 5 |
| BR1/8A/6 ZZ | GRW | SSRI618ZZ | 5 |
| BR1/8B | GRW | SSR2 | 5 |
| BR1/8B/083 | GRW | SSR2A | 5 |
| BR1/8B/083 WZ | GRW | SSR2A ZZ | 5 |
| BR1/8B ZZ | GRW | SSR2 ZZ | 5 |
| BR3/16 | GRW | SSR3 | 5 |
| BR3/16 ZZ | GRW | SSR3 ZZ | 5 |
| BR3/32 | GRW | SSRI-5 | 5 |
| BR3/32 ZZ | GRW | SSRI-5ZZ | 5 |
| BR3/8 | GRW | SSR6 | 5 |
| BR3/8 ZZ | GRW | SSR6 ZZ | 5 |
| BR5/64 | GRW | SSRI-4 | 5 |
| BR5/64 ZZ | GRW | SSRI-4ZZ | 5 |
| BX2 | ADR | L520 | 9 |
| BX2ZZ | ADR | L520ZZ | 9 |
| DDL1040 | NMB | SSL1040 | 9 |
| DDL1040ZZ | NMB | SSL1040ZZ | 9 |
| DDL1050 | NMB | SSL1050 | 9 |
| DDL1050ZZ | NMB | SSL1050ZZ | 9 |
| DDL1060 | NMB | SSL1060 | 9 |
| DDL1060ZZ | NMB | SSL1060ZZ | 9 |
| DDL1150 | NMB | SSL1150 | 9 |
| DDL1150ZZ | NMB | SSL1150ZZ | 9 |
| DDL1170 | NMB | SSL1170 | 9 |
| DDL1170ZZ | NMB | SSL1170ZZ | 9 |
| DDL1260 | NMB | SSL1260 | 9 |
| DDL1260ZZ | NMB | SSL1260ZZ | 9 |
| DDL1280 | NMB | SSL1280 | 9 |
| DDL1280ZZ | NMB | SSL1280ZZ | 9 |
| DDL1360 | NMB | SSL1360 | 9 |

| PART # | MANUF. | BL # | PAGE # |
|-------------|--------|-------------|--------|
| DDL1360ZZ | NMB | SSL1360ZZ | 9 |
| DDL1370 | NMB | SSL1370 | 9 |
| DDL1370ZZ | NMB | SSL1370ZZ | 9 |
| DDL1470 | NMB | SSL1470 | 9 |
| DDL1470ZZ | NMB | SSL1470ZZ | 9 |
| DDL1480 | NMB | SSL1480 | 9 |
| DDL1480ZZ | NMB | SSL1480ZZ | 9 |
| DDL1680 | NMB | SSL1680 | 9 |
| DDL1680ZZ | NMB | SSL1680ZZ | 9 |
| DDL1790 | NMB | SSL1790 | 9 |
| DDL1790ZZ | NMB | SSL1790ZZ | 9 |
| DDL1910 | NMB | SSL1910 | 9 |
| DDL1910ZZ | NMB | SSL1910ZZ | 9 |
| DDL2090 | NMB | SSL2090 | 9 |
| DDL2090ZZ | NMB | SSL2090ZZ | 9 |
| DDL310 | NMB | SSL310 | 9 |
| DDL415 | NMB | SSL415 | 9 |
| DDL415ZZ | NMB | SSL415ZZ | 9 |
| DDL520 | NMB | SSL520 | 9 |
| DDL520ZZ | NMB | SSL520ZZ | 9 |
| DDL520ZZW52 | NMB | SSL520ZZW52 | 9 |
| DDL625 | NMB | SSL625 | 9 |
| DDL625ZZ | NMB | SSL625ZZ | 9 |
| DDL630 | NMB | SSL630 | 9 |
| DDL630ZZ | NMB | SSL630ZZ | 9 |
| DDL730 | NMB | SSL730 | 9 |
| DDL730ZZ | NMB | SSL730ZZ | 9 |
| DDL740 | NMB | SSL740 | 9 |
| DDL740ZZ | NMB | SSL740ZZ | 9 |
| DDL840 | NMB | SSL840 | 9 |
| DDL840ZZ | NMB | SSL840ZZ | 9 |
| DDL850 | NMB | SSL850 | 9 |
| DDL850ZZ | NMB | SSL850ZZ | 9 |
| DDL940 | NMB | SSL940 | 9 |
| DDL940ZZ | NMB | SSL940ZZ | 9 |
| DDL950 | NMB | SSL950 | 9 |
| DDL950ZZ | NMB | SSL950ZZ | 9 |
| DDLF1040 | NMB | SSLF1040 | 10 |
| DDLF1040ZZ | NMB | SSLF1040ZZ | 10 |
| DDLF1050 | NMB | SSLF1050 | 10 |
| DDLF1050ZZ | NMB | SSLF1050ZZ | 10 |
| DDLF1060 | NMB | SSLF1060 | 10 |
| DDLF1060ZZ | NMB | SSLF1060ZZ | 10 |
| DDLF1150 | NMB | SSLF1150 | 10 |
| DDLF1150ZZ | NMB | SSLF1150ZZ | 10 |
| DDLF1170 | NMB | SSLF1170 | 10 |
| DDLF1170ZZ | NMB | SSLF1170ZZ | 10 |
| DDLF1260 | NMB | SSLF1260 | 10 |
| DDLF1260ZZ | NMB | SSLF1260ZZ | 10 |
| DDLF1280 | NMB | SSLF1280 | 10 |
| DDLF1280ZZ | NMB | SSLF1280ZZ | 10 |
| DDLF1360 | NMB | SSLF1360 | 10 |
| DDLF1360ZZ | NMB | SSLF1360ZZ | 10 |
| DDLF1370 | NMB | SSLF1370 | 10 |
| DDLF1370ZZ | NMB | SSLF1370ZZ | 10 |

| PART # | MANUF. | BL # | PAGE # |
|-----------|--------|------------|--------|
| DDL1470 | NMB | SSL1470 | 10 |
| DDL1470ZZ | NMB | SSL1470ZZ | 10 |
| DDL1480 | NMB | SSL1480 | 10 |
| DDL1480ZZ | NMB | SSL1480ZZ | 10 |
| DDL1680 | NMB | SSL1680 | 10 |
| DDL1680ZZ | NMB | SSL1680ZZ | 10 |
| DDL1790 | NMB | SSL1790 | 10 |
| DDL1790ZZ | NMB | SSL1790ZZ | 10 |
| DDL310 | NMB | SSL310 | 10 |
| DDL415 | NMB | SSL415 | 10 |
| DDL520 | NMB | SSL520 | 10 |
| DDL520ZZ | NMB | SSL520ZZ | 10 |
| DDL625 | NMB | SSL625 | 10 |
| DDL625ZZ | NMB | SSL625ZZ | 10 |
| DDL630 | NMB | SSL630 | 10 |
| DDL630ZZ | NMB | SSL630ZZ | 10 |
| DDL730 | NMB | SSL730 | 10 |
| DDL730ZZ | NMB | SSL730ZZ | 10 |
| DDL740 | NMB | SSL740 | 10 |
| DDL740ZZ | NMB | SSL740ZZ | 10 |
| DDL840 | NMB | SSL840 | 10 |
| DDL840ZZ | NMB | SSL840ZZ | 10 |
| DDL850 | NMB | SSL850 | 10 |
| DDL850ZZ | NMB | SSL850ZZ | 10 |
| DDL940 | NMB | SSL940 | 10 |
| DDL940ZZ | NMB | SSL940ZZ | 10 |
| DDL950 | NMB | SSL950 | 10 |
| DDL950ZZ | NMB | SSL950ZZ | 10 |
| DDR1030 | NMB | SS623 | 11 |
| DDR1030ZZ | NMB | SS623ZZ | 11 |
| DDR1140 | NMB | SSR1140 | 9 |
| DDR1140ZZ | NMB | SSR1140ZZ | 9 |
| DDR1240 | NMB | SSR1240 | 9 |
| DDR1240ZZ | NMB | SSR1240ZZ | 9 |
| DDR1340 | NMB | SS624 | 11 |
| DDR1340ZZ | NMB | SS624ZZ | 11 |
| DDR1350 | NMB | SSR1350 | 9 |
| DDR1350ZZ | NMB | SSR1350ZZ | 9 |
| DDR1450 | NMB | SS605 | 11 |
| DDR1450ZZ | NMB | SS605 ZZ | 11 |
| DDR1560 | NMB | SSR1560 | 11 |
| DDR1560ZZ | NMB | SSR1560 ZZ | 11 |
| DDR1640 | NMB | SS634 | 11 |
| DDR1640ZZ | NMB | SS634 ZZ | 11 |
| DDR1650 | NMB | SS625 | 11 |
| DDR1650ZZ | NMB | SS625 ZZ | 11 |
| DDR1760 | NMB | SS606 | 11 |
| DDR1760ZZ | NMB | SS606 ZZ | 11 |
| DDR1950 | NMB | SS635 | 11 |
| DDR1950ZZ | NMB | SS635 ZZ | 11 |
| DDR1960 | NMB | SS626 | 11 |
| DDR1960ZZ | NMB | SS626 ZZ | 11 |
| DDR1970 | NMB | SS607 | 11 |
| DDR1970ZZ | NMB | SS607 ZZ | 11 |
| DDR2 | NMB | SSR2 | 5 |

| PART # | MANUF. | BL # | PAGE # |
|------------|--------|-------------|--------|
| DDR2270 | NMB | SS627 | 11 |
| DDR2270ZZ | NMB | SS627 ZZ | 11 |
| DDR2280 | NMB | SS608 | 11 |
| DDR2280ZZ | NMB | SS608 ZZ | 11 |
| DDR2690 | NMB | SS629 | 11 |
| DDR2690ZZ | NMB | SS629 ZZ | 11 |
| DDR2A | NMB | SSR2A | 5 |
| DDR2AZZ | NMB | SSR2A ZZ | 5 |
| DDR2ZZ | NMB | SSR2 ZZ | 5 |
| DDR3 | NMB | SSR3 | 5 |
| DDR3ZZ | NMB | SSR3 ZZ | 5 |
| DDR4 | NMB | SSR4 | 5 |
| DDR412 | NMB | SSR412 | 9 |
| DDR4ZZ | NMB | SSR4 ZZ | 9 |
| DDR515 | NMB | SSR515 | 9 |
| DDR515ZZ | NMB | SSR515ZZ | 9 |
| DDR515ZZ | NMB | SSR515ZZ | 9 |
| DDR615 | NMB | SSR615 | 9 |
| DDR615ZZ | NMB | SSR615ZZ | 9 |
| DDR620 | NMB | SSR620 | 9 |
| DDR620 | NMB | SSR620 | 9 |
| DDR620ZZ | NMB | SSR620ZZ | 9 |
| DDR620ZZ | NMB | SSR620ZZ | 9 |
| DDR720 | NMB | SSR720 | 9 |
| DDR720ZZ | NMB | SSR720ZZ | 9 |
| DDR725 | NMB | SSR725 | 9 |
| DDR725ZZ | NMB | SSR725ZZ | 9 |
| DDR825 | NMB | SSR825 | 9 |
| DDR825 | NMB | SSR825 | 9 |
| DDR825ZZ | NMB | SSR825ZZ | 9 |
| DDR825ZZ | NMB | SSR825ZZ | 9 |
| DDR830 | NMB | SSR830 | 9 |
| DDR830ZZ | NMB | SSR830ZZ | 9 |
| DDR930 | NMB | SSR930 | 9 |
| DDR930ZZ | NMB | SSR930ZZ | 9 |
| DDRF1030 | NMB | SSF623 | 12 |
| DDRF1030ZZ | NMB | SSF623 ZZ | 12 |
| DDRF1140 | NMB | SSRF1140 | 10 |
| DDRF1140ZZ | NMB | SSRF1140 ZZ | 10 |
| DDRF1240 | NMB | SSRF1240 | 10 |
| DDRF1240ZZ | NMB | SSRF1240 | 10 |
| DDRF1340 | NMB | SSF624 | 12 |
| DDRF1340ZZ | NMB | SSF624 ZZ | 12 |
| DDRF1350 | NMB | SSRF1350 | 10 |
| DDRF1350ZZ | NMB | SSRF1350ZZ | 10 |
| DDRF1450 | NMB | SSF605 | 12 |
| DDRF1450ZZ | NMB | SSF605 ZZ | 12 |
| DDRF1560 | NMB | SSRF1560 | 10 |
| DDRF1560ZZ | NMB | SSRF1560 ZZ | 10 |
| DDRF1640 | NMB | SSF634 | 12 |
| DDRF1640ZZ | NMB | SSF634 ZZ | 12 |
| DDRF1650 | NMB | SSF625 | 12 |
| DDRF1650ZZ | NMB | SSF625 ZZ | 12 |
| DDRF1760 | NMB | SSF606 | 12 |

| PART # | MANUF. | BL # | PAGE # |
|--------------|--------|-------------|--------|
| DDRF1760ZZ | NMB | SSF606 ZZ | 12 |
| DDRF1960 | NMB | SSF626 | 12 |
| DDRF1960ZZ | NMB | SSF626 ZZ | 12 |
| DDRF1970 | NMB | SSF607 | 12 |
| DDRF1970ZZ | NMB | SSF607 ZZ | 12 |
| DDRF2 | NMB | SSFR2 | 6 |
| DDRF2270 | NMB | SSF627 | 12 |
| DDRF2270ZZ | NMB | SSF627 ZZ | 12 |
| DDRF2280 | NMB | SSF608 | 12 |
| DDRF2280ZZ | NMB | SSF608 ZZ | 12 |
| DDRF2ZZ | NMB | SSFR2 ZZ | 6 |
| DDRF3 | NMB | SSFR3 | 6 |
| DDRF3ZZ | NMB | SSFR3 ZZ | 6 |
| DDRF4 | NMB | SSFR4 | 6 |
| DDRF410 | NMB | SSRF410 | 10 |
| DDRF412 | NMB | SSRF412 | 10 |
| DDRF4ZZ | NMB | SSFR4 ZZ | 6 |
| DDRF515 | NMB | SSRF515 | 10 |
| DDRF515ZZ | NMB | SSRF515ZZ | 10 |
| DDRF615 | NMB | SSRF615 | 10 |
| DDRF615ZZ | NMB | SSRF615ZZ | 10 |
| DDRF620 | NMB | SSRF620 | 10 |
| DDRF620ZZ | NMB | SSRF620ZZ | 10 |
| DDRF720 | NMB | SSRF720 | 10 |
| DDRF720ZZ | NMB | SSRF720ZZ | 10 |
| DDRF725 | NMB | SSRF725 | 10 |
| DDRF725ZZ | NMB | SSRF725ZZ | 10 |
| DDRF825 | NMB | SSRF825 | 10 |
| DDRF825ZZ | NMB | SSRF825ZZ | 10 |
| DDRF830 | NMB | SSRF830 | 10 |
| DDRF830ZZ | NMB | SSRF820ZZ | 10 |
| DDRF930 | NMB | SSRF930 | 10 |
| DDRF930ZZ | NMB | SSRF930ZZ | 10 |
| DDRI-2 | NMB | SSRI-2 | 5 |
| DDRI-2 1/2 | NMB | SSRI2 1/2 | 5 |
| DDRI-2 1/2ZZ | NMB | SSRI2 1/2ZZ | 5 |
| DDRI-3 | NMB | SSRI-3 | 5 |
| DDRI-3ZZ | NMB | SSRI-3ZZ | 5 |
| DDRI-4 | NMB | SSRI-4 | 5 |
| DDRI-4ZZ | NMB | SSRI-4ZZ | 5 |
| DDRI-5ZZ | NMB | SSRI-5ZZ | 5 |
| DDRI1412 | NMB | SSR4A | 5 |
| DDRI1412ZZ | NMB | SSR4A ZZ | 5 |
| DDRI1438 | NMB | SSR6 | 5 |
| DDRI1438ZZ | NMB | SSR6 ZZ | 5 |
| DDRI3332 | NMB | SSRI3332 | 5 |
| DDRI3332ZZ | NMB | SSRI3332ZZ | 5 |
| DDRI418 | NMB | SSRI418 | 5 |
| DDRI418ZZ | NMB | SSRI418ZZ | 5 |
| DDRI518 | NMB | SSR1518 | 5 |
| DDRI518ZZ | NMB | SSRI518ZZ | 5 |
| DDRI5532 | NMB | SSRI5532 | 5 |
| DDRI5532ZZ | NMB | SSRI5532ZZ | 5 |
| DDRI5632 | NMB | SSRI5632 | 5 |
| DDRI5632ZZ | NMB | SSRI5632ZZ | 5 |

| PART # | MANUF. | BL # | PAGE # |
|---------------|--------|--------------|--------|
| DDRI614 | NMB | SSRI614 | 5 |
| DDRI614ZZ | NMB | SSRI614ZZ | 5 |
| DDRI618 | NMB | SSRI618 | 5 |
| DDRI618ZZ | NMB | SSRI618ZZ | 5 |
| DDRI6632 | NMB | SSRI6632 | 5 |
| DDRI6632ZZ | NMB | SSRI6632ZZ | 5 |
| DDRI814 | NMB | SSRI814 | 5 |
| DDRI814ZZ | NMB | SSRI814ZZ | 5 |
| DDRI8516 | NMB | SSRI8516 | 5 |
| DDRI8516ZZ | NMB | SSRI8516ZZ | 5 |
| DDRIF-2 1/2 | NMB | SSRIF2 1/2 | 6 |
| DDRIF-2 1/2ZZ | NMB | SSRIF2 1/2ZZ | 6 |
| DDRIF-3 | NMB | SSRIF-3 | 6 |
| DDRIF-3ZZ | NMB | SSRIF-3ZZ | 6 |
| DDRIF-4 | NMB | SSRIF-4 | 6 |
| DDRIF-4ZZ | NMB | SSRIF-4ZZ | 6 |
| DDRIF-5 | NMB | SSRIF-5 | 6 |
| DDRIF-5ZZ | NMB | SSRIF-5ZZ | 6 |
| DDRIF1438ZZ | NMB | SSRF6 ZZ | 6 |
| DDRIF3332 | NMB | SSRIF3332 | 6 |
| DDRIF3332ZZ | NMB | SSRIF3332ZZ | 6 |
| DDRIF418 | NMB | SSRIF418 | 6 |
| DDRIF418ZZ | NMB | SSRIF418ZZ | 6 |
| DDRIF518 | NMB | SSRIF518 | 6 |
| DDRIF518ZZ | NMB | SSRIF518ZZ | 6 |
| DDRIF5532 | NMB | SSRIF5532 | 6 |
| DDRIF5532ZZ | NMB | SSRIF5532ZZ | 6 |
| DDRIF5632 | NMB | SSRIF5632 | 6 |
| DDRIF5632ZZ | NMB | SSRIF5632ZZ | 6 |
| DDRIF614 | NMB | SSRIF614 | 6 |
| DDRIF614ZZ | NMB | SSRIF614ZZ | 6 |
| DDRIF618 | NMB | SSRIF618 | 6 |
| DDRIF618ZZ | NMB | SSRIF618ZZ | 6 |
| DDRIF6632 | NMB | SSRIF6632 | 6 |
| DDRIF6632ZZ | NMB | SSRIF6632ZZ | 6 |
| DDRIF814 | NMB | SSRIF814 | 6 |
| DDRIF814ZZ | NMB | SSRIF814ZZ | 6 |
| DDRIF8516 | NMB | SSRIF8516 | 6 |
| DDRIF8516ZZ | NMB | SSRIF8516ZZ | 6 |
| F-60/1.5 | NTN | SSR615 | 9 |
| F-60/2.5 | NTN | SSR825 | 9 |
| F-602 | NTN | SSR720 | 9 |
| F-603 | NTN | SSR930 | 9 |
| F-604 | NTN | SSR1240 | 9 |
| F-604ZZ | NTN | SSR1240ZZ | 9 |
| F-605 | NTN | SS605 | 11 |
| F-605ZZ | NTN | SS605 ZZ | 11 |
| F-606 | NTN | SS606 | 11 |
| F-606ZZ | NTN | SS606 ZZ | 11 |
| F-607 | NTN | SS607 | 11 |
| F-607ZZ | NTN | SS607 ZZ | 11 |
| F-608 | NTN | SS608 | 11 |
| F-608ZZ | NTN | SS608 ZZ | 11 |
| F-623 | NTN | SS623 | 11 |
| F-623ZZ | NTN | SS623 ZZ | 11 |

| PART # | MANUF. | BL # | PAGE # |
|------------|--------|-----------|--------|
| F-624 | NTN | SS624 | 11 |
| F-624ZZ | NTN | SS624 ZZ | 11 |
| F-625 | NTN | SS625 | 11 |
| F-625ZZ | NTN | SS625 ZZ | 11 |
| F-626 | NTN | SS626 | 11 |
| F-626ZZ | NTN | SS626 ZZ | 11 |
| F-627 | NTN | SS627 | 11 |
| F-627ZZ | NTN | SS627 ZZ | 11 |
| F-629 | NTN | SS629 | 11 |
| F-634 | NTN | SS634 | 11 |
| F-634ZZ | NTN | SS634 ZZ | 11 |
| F-673 | NTN | SSL630 | 9 |
| F-674 | NTN | SSL740 | 9 |
| F-675 | NTN | SSL850 | 9 |
| F-676 | NTN | SSL1060 | 9 |
| F-677 | NTN | SSL1170 | 9 |
| F-678 | NTN | SSL1280 | 9 |
| F-68/1.5 | NTN | SSL415 | 9 |
| F-68/2.5 | NTN | SSL625 | 9 |
| F-681 | NTN | SSL310 | 9 |
| F-682 | NTN | SSL520 | 9 |
| F-683 | NTN | SSL730 | 9 |
| F-684 | NTN | SSL940 | 9 |
| F-685 | NTN | SSL1150 | 9 |
| F-686 | NTN | SSL1360 | 9 |
| F-687 | NTN | SSL1470 | 9 |
| F-688 | NTN | SSL1680 | 9 |
| F-689 | NTN | SSL1790 | 9 |
| F-69/1.5 | NTN | SSR515 | 9 |
| F-69/2.5 | NTN | SSR725 | 9 |
| F-692 | NTN | SSR620 | 9 |
| F-693 | NTN | SSR830 | 9 |
| F-694 | NTN | SSR1140 | 9 |
| F-694ZZ | NTN | SSR1140ZZ | 9 |
| F-695 | NTN | SSR1350 | 9 |
| F-695ZZ | NTN | SSR1350ZZ | 9 |
| F-696 | NTN | SSR1560 | 9 |
| F-696ZZ | NTN | SSR1560ZZ | 9 |
| F-699 | NTN | SSL2090 | 9 |
| F-699ZZ | NTN | SSL2090ZZ | 9 |
| F-FL60/1.5 | NTN | SSRF615 | 10 |
| F-FL60/2.5 | NTN | SSRF825 | 10 |
| F-FL602 | NTN | SSRF720 | 10 |
| F-FL603 | NTN | SSRF930 | 10 |
| F-FL604 | NTN | SSRF1240 | 10 |
| F-FL605 | NTN | SSF605 | 12 |
| F-FL605ZZ | NTN | SSF605 ZZ | 12 |
| F-FL606 | NTN | SSF606 | 12 |
| F-FL606ZZ | NTN | SSF606 ZZ | 12 |
| F-FL607 | NTN | SSF607 | 12 |
| F-FL607ZZ | NTN | SSF607 ZZ | 12 |
| F-FL608 | NTN | SSF608 | 12 |
| F-FL608ZZ | NTN | SSF608 ZZ | 12 |
| F-FL623 | NTN | SSF623 | 12 |
| F-FL623ZZ | NTN | SSF623 ZZ | 12 |

| PART # | MANUF. | BL # | PAGE # |
|----------------|--------|------------|--------|
| F-FL624 | NTN | SSF624 | 12 |
| F-FL624ZZ | NTN | SSF624 ZZ | 12 |
| F-FL625 | NTN | SSF625 | 12 |
| F-FL625ZZ | NTN | SSF625 ZZ | 12 |
| F-FL626 | NTN | SSF626 | 12 |
| F-FL626ZZ | NTN | SSF626 ZZ | 12 |
| F-FL627 | NTN | SSF627 | 12 |
| F-FL627ZZ | NTN | SSF627 ZZ | 12 |
| F-FL634 | NTN | SSF634 | 12 |
| F-FL634ZZ | NTN | SSF634 ZZ | 12 |
| F-FL68/1.5 | NTN | SSLF415 | 10 |
| F-FL68/2.5 | NTN | SSLF625 | 10 |
| F-FL681 | NTN | SSLF310 | 10 |
| F-FL682 | NTN | SSLF520 | 10 |
| F-FL683 | NTN | SSLF730 | 10 |
| F-FL684 | NTN | SSLF940 | 10 |
| F-FL685 | NTN | SSLF1150 | 10 |
| F-FL686 | NTN | SSLF1360 | 10 |
| F-FL687 | NTN | SSLF1470 | 10 |
| F-FL688 | NTN | SSLF1680 | 10 |
| F-FL689 | NTN | SSLF1790 | 10 |
| F-FL69/1.5 | NTN | SSRF515 | 10 |
| F-FL69/2.5 | NTN | SSRF725 | 10 |
| F-FL691 | NTN | SSRF410 | 10 |
| F-FL692 | NTN | SSRF620 | 10 |
| F-FL693 | NTN | SSRF830 | 10 |
| F-FL694 | NTN | SSRF1140 | 10 |
| F-FL694ZZ | NTN | SSRF1140ZZ | 10 |
| F-FL695 | NTN | SSRF1350 | 10 |
| F-FL695ZZ | NTN | SSRF1350ZZ | 10 |
| F-FL696 | NTN | SSRF1560 | 10 |
| F-FL696ZZ | NTN | SSRF1560ZZ | 10 |
| F-FLW60/1.5ZZA | NTN | SSRF615ZZ | 10 |
| F-FLW60/2.5ZZA | NTN | SSRF825ZZ | 10 |
| F-FLW602ZZA | NTN | SSRF720ZZ | 10 |
| F-FLW603ZZ | NTN | SSRF930ZZ | 10 |
| F-FLW68/2.5ZZA | NTN | SSLF625ZZ | 10 |
| F-FLW682ZZA | NTN | SSLF520ZZ | 10 |
| F-FLW684ZZ | NTN | SSRF1140ZZ | 10 |
| F-FLW685ZZ | NTN | SSLF1150ZZ | 10 |
| F-FLW686ZZ | NTN | SSLF1360ZZ | 10 |
| F-FLW687ZZ | NTN | SSLF1470ZZ | 10 |
| F-FLW688ZZ | NTN | SSLF1680ZZ | 10 |
| F-FLW689ZZ | NTN | SSLF1790ZZ | 10 |
| F-FLW69/1.5ZZA | NTN | SSRF515ZZ | 10 |
| F-FLW69/2.5ZZA | NTN | SSRF725ZZ | 10 |
| F-FLW692ZZA | NTN | SSRF620ZZ | 10 |
| F-FLW693ZZ | NTN | SSRF830ZZ | 10 |
| F-W60/1.5ZZA | NTN | SSRF615ZZ | 9 |
| F-W60/2.5ZZA | NTN | SSRF825ZZ | 9 |
| F-W602ZZA | NTN | SSRF720ZZ | 9 |
| F-W603ZZ | NTN | SSRF930ZZ | 9 |
| F-W673ZZA | NTN | SSL630ZZA | 9 |
| F-W68/1.5ZZA | NTN | SSL415ZZ | 9 |
| F-W68/2.5ZZA | NTN | SSL625ZZ | 9 |

| PART # | MANUF. | BL # | PAGE # |
|--------------|--------|------------|--------|
| F-W682ZZA | NTN | SSL520ZZ | 9 |
| F-W683ZZA | NTN | SSL730ZZ | 9 |
| F-W684ZZ | NTN | SSL940ZZ | 9 |
| F-W685ZZ | NTN | SSL1150ZZ | 9 |
| F-W686ZZ | NTN | SSL1360ZZ | 9 |
| F-W687ZZ | NTN | SSL1470ZZ | 9 |
| F-W688ZZ | NTN | SSL1680ZZ | 9 |
| F-W689ZZ | NTN | SSL1790ZZ | 9 |
| F-W69/1.5ZZA | NTN | SSR515ZZ | 9 |
| F-W69/2.5ZZA | NTN | SSR725ZZ | 9 |
| F-W692ZZA | NTN | SSR620ZZ | 9 |
| F-W693ZZ | NTN | SSR830ZZ | 9 |
| F601X | EZO | RF615 | 10 |
| F601XH | EZO | SSRF615 | 10 |
| F601XHZZ | EZO | SSRF615ZZ | 10 |
| F601XZZ | EZO | RF615ZZ | 10 |
| F602 | EZO | RF720 | 10 |
| F602H | EZO | SSRF720 | 10 |
| F602HZZ | EZO | SSRF720ZZ | 10 |
| F602X | EZO | RF825 | 10 |
| F602XH | EZO | SSRF825 | 10 |
| F602XHZZ | EZO | SSRF825ZZ | 10 |
| F602XZZ | EZO | RF825ZZ | 10 |
| F602ZZ | EZO | RF720ZZ | 10 |
| F603 | EZO | RF930 | 10 |
| F603H | EZO | SSRF930 | 10 |
| F603HZZ | EZO | SSRF930ZZ | 10 |
| F603ZZ | EZO | RF930ZZ | 10 |
| F604 | EZO | RF1240 | 10 |
| F604H | EZO | SSRF1240 | 10 |
| F604HZZ | EZO | SSRF1240ZZ | 10 |
| F604ZZ | EZO | RF1240ZZ | 10 |
| F605 | EZO | F605 | 12 |
| F605H | EZO | SSF605 | 12 |
| F605HZZ | EZO | SSF605 ZZ | 12 |
| F605ZZ | EZO | F605 ZZ | 12 |
| F606 | EZO | F606 | 12 |
| F606H | EZO | SSF606 | 12 |
| F606HZZ | EZO | SSF606 ZZ | 12 |
| F606ZZ | EZO | F606 ZZ | 12 |
| F607 | EZO | F607 | 12 |
| F607 | GRW | F607 | 12 |
| F607 ZZ | GRW | F607 ZZ | 12 |
| F607H | EZO | SSF607 | 12 |
| F607HZZ | EZO | SSF607 ZZ | 12 |
| F607ZZ | EZO | F607 ZZ | 12 |
| F608 | EZO | F608 | 12 |
| F608H | EZO | SSF608 | 12 |
| F608HZZ | EZO | SSF608 ZZ | 12 |
| F608ZZ | EZO | F608 ZZ | 12 |
| F619/1.5 | ADR | RF515 | 10 |
| F623 | ADR | F623 | 12 |
| F623 | EZO | F623 | 12 |
| F623 | GRW | F623 | 12 |
| F623 ZZ | GRW | F623 ZZ | 12 |

| PART # | MANUF. | BL # | PAGE # |
|------------|--------|-----------|--------|
| F623H | EZO | SSF623 | 12 |
| F623HZZ | EZO | SSF623 ZZ | 12 |
| F623ZZ | ADR | F623 ZZ | 12 |
| F623ZZ | EZO | F623 ZZ | 12 |
| F624 | EZO | F624 | 12 |
| F624 | GRW | F624 | 12 |
| F624 ZZ | GRW | F624 ZZ | 12 |
| F624H | EZO | SSF624 | 12 |
| F624HZZ | EZO | SSF624 ZZ | 12 |
| F624ZZ | ADR | F624 ZZ | 12 |
| F624ZZ | EZO | F624 ZZ | 12 |
| F625 | EZO | F625 | 12 |
| F625 | GRW | F625 | 12 |
| F625 ZZ | GRW | F625 ZZ | 12 |
| F625H | EZO | SSF625 | 12 |
| F625HZZ | EZO | SSF625 ZZ | 12 |
| F625ZZ | EZO | F625 ZZ | 12 |
| F626 | EZO | F626 | 12 |
| F626 | GRW | F626 | 12 |
| F626 ZZ | GRW | F626 ZZ | 12 |
| F626H | EZO | SSF626 | 12 |
| F626HZZ | EZO | SSF626 ZZ | 12 |
| F626ZZ | EZO | F626 ZZ | 12 |
| F627 | EZO | F627 | 12 |
| F627H | EZO | SSF627 | 12 |
| F627HZZ | EZO | SSF627 ZZ | 12 |
| F627ZZ | EZO | F627 ZZ | 12 |
| F628/6ZZ | ADR | LF1360ZZ | 10 |
| F634 | EZO | F624 | 12 |
| F634 | GRW | F624 | 12 |
| F634 ZZ | GRW | F634 ZZ | 12 |
| F634H | EZO | SSF624 | 12 |
| F634HZZ | EZO | SSF634 ZZ | 12 |
| F634ZZ | EZO | F634 ZZ | 12 |
| F638/4ZZ | ADR | LF1040ZZ | 10 |
| F638/5ZZ | ADR | LF1150ZZ | 10 |
| F68/1.5 | GRW | LF415 | 10 |
| F68/2.5 | GRW | LF625 | 10 |
| F68/2.5 ZZ | GRW | LF625ZZ | 10 |
| F681 | EZO | LF310 | 10 |
| F681 | GRW | LF310 | 10 |
| F681H | EZO | SSLF310 | 10 |
| F681X | EZO | LF415 | 10 |
| F681XH | EZO | SSLF415 | 10 |
| F682 | EZO | LF520 | 10 |
| F682 | GRW | LF520 | 10 |
| F682 ZZ | GRW | LF520ZZ | 10 |
| F682H | EZO | SSLF520 | 10 |
| F682HZZ | EZO | SSLF520ZZ | 10 |
| F682X | EZO | LF625 | 10 |
| F682XH | EZO | SSLF625 | 10 |
| F682XHZZ | EZO | SSLF625ZZ | 10 |
| F682XZZ | EZO | LF625ZZ | 10 |
| F682ZZ | EZO | LF520ZZ | 10 |
| F683 | EZO | LF730 | 10 |

| PART # | MANUF. | BL # | PAGE # |
|------------|--------|------------|--------|
| F683 | GRW | LF730 | 10 |
| F683 2Z | GRW | LF730ZZ | 10 |
| F683H | EZO | SSLF730 | 10 |
| F683HZZ | EZO | SSLF730ZZ | 10 |
| F683ZZ | EZO | LF730ZZ | 10 |
| F684 | EZO | LF940 | 10 |
| F684 | GRW | LF940 | 10 |
| F684 2Z | GRW | LF940ZZ | 10 |
| F684H | EZO | SSLF940 | 10 |
| F684HZZ | EZO | SSLF940ZZ | 10 |
| F684ZZ | EZO | LF940ZZ | 10 |
| F685 | EZO | LF1150 | 10 |
| F685 | GRW | LF1150 | 10 |
| F685 2Z | GRW | LF1150ZZ | 10 |
| F685H | EZO | SSLF1150 | 10 |
| F685HZZ | EZO | SSLF1150ZZ | 10 |
| F685ZZ | EZO | LF1150ZZ | 10 |
| F686 | EZO | LF1360 | 10 |
| F686 | GRW | LF1360 | 10 |
| F686 2Z | GRW | LF1360ZZ | 10 |
| F686H | EZO | SSLF1360 | 10 |
| F686HZZ | EZO | SSLF1360ZZ | 10 |
| F686ZZ | EZO | LF1360ZZ | 10 |
| F687 | EZO | LF1470 | 10 |
| F687 | GRW | LF1470 | 10 |
| F687 2Z | GRW | LF1470ZZ | 10 |
| F687H | EZO | SSLF1470 | 10 |
| F687HZZ | EZO | SSLF1470ZZ | 10 |
| F687ZZ | EZO | LF1470ZZ | 10 |
| F688 | EZO | LF1680 | 10 |
| F688 | GRW | LF1680 | 10 |
| F688H | EZO | SSLF1680 | 10 |
| F688HZZ | EZO | SSLF1680ZZ | 10 |
| F688ZZ | EZO | LF1680ZZ | 10 |
| F689 | EZO | LF1790 | 10 |
| F689 | GRW | LF1790 | 10 |
| F689H | EZO | SSLF1790 | 10 |
| F689HZZ | EZO | SSLF1790ZZ | 10 |
| F689ZZ | EZO | LF1790ZZ | 10 |
| F69/1.5 | GRW | RF515 | 10 |
| F69/1.5 2Z | GRW | RF515ZZ | 10 |
| F69/2.5 | GRW | RF725 | 10 |
| F691 | EZO | RF410 | 10 |
| F691 | GRW | RF410 | 10 |
| F691H | EZO | SSRF410 | 10 |
| F691X | EZO | RF515 | 10 |
| F691XH | EZO | SSRF515 | 10 |
| F691XHZZ | EZO | SSRF515ZZ | 10 |
| F691XZZ | EZO | RF515ZZ | 10 |
| F692 | EZO | RF620 | 10 |
| F692 | GRW | RF620 | 10 |
| F692H | EZO | SSRF620 | 10 |
| F692HZZ | EZO | SSRF620ZZ | 10 |
| F692X | EZO | RF725 | 10 |
| F692XH | EZO | SSRF725 | 10 |

| PART # | MANUF. | BL # | PAGE # |
|----------|--------|------------|--------|
| F692XHZZ | EZO | SSRF725ZZ | 10 |
| F692XZZ | EZO | RF725ZZ | 10 |
| F692ZZ | EZO | RF620ZZ | 10 |
| F693 | EZO | RF830 | 10 |
| F693 | GRW | RF830 | 10 |
| F693 2Z | GRW | RF830ZZ | 10 |
| F693H | EZO | SSRF830 | 10 |
| F693HZZ | EZO | SSRF830ZZ | 10 |
| F693ZZ | EZO | RF830ZZ | 10 |
| F694 | EZO | RF1140 | 10 |
| F694 | GRW | RF1140 | 10 |
| F694 2Z | GRW | RF1140ZZ | 10 |
| F694H | EZO | SSRF1140 | 10 |
| F694HZZ | EZO | SSRF1140ZZ | 10 |
| F694ZZ | EZO | RF1140ZZ | 10 |
| F695 | EZO | RF1350 | 10 |
| F695 | GRW | RF1350 | 10 |
| F695 2Z | GRW | RF1350ZZ | 10 |
| F695H | EZO | SSRF1350 | 10 |
| F695HZZ | EZO | SSRF1350ZZ | 10 |
| F695ZZ | EZO | RF1350ZZ | 10 |
| F696 | EZO | RF1560 | 10 |
| F696 | GRW | RF1560 | 10 |
| F696 2Z | GRW | RF1560ZZ | 10 |
| F696H | EZO | SSRF1560 | 10 |
| F696HZZ | EZO | SSRF1560ZZ | 10 |
| F696ZZ | EZO | RF1560ZZ | 10 |
| FAX1.5 | ADR | LF415 | 10 |
| FAX2 | ADR | RF620 | 10 |
| FAX2.5 | ADR | LF625 | 10 |
| FAX2.5ZZ | ADR | LF625ZZ | 10 |
| FAX2ZZ | ADR | RF620ZZ | 10 |
| FAX3 | ADR | LF730 | 10 |
| FAX3ZZ | ADR | LF730ZZ | 10 |
| FAX4 | ADR | LF1040ZZ | 10 |
| FAX6 | ADR | LF1360 | 10 |
| FAX7 | ADR | LF1470 | 10 |
| FAX7ZZ | ADR | LF1470ZZ | 10 |
| FBX2 | ADR | LF520 | 10 |
| FBX2ZZ | ADR | LF520ZZ | 10 |
| FL60/1.5 | NTN | RF615 | 10 |
| FL60/2.5 | NTN | RF825 | 10 |
| FL602 | NTN | RF720 | 10 |
| FL603 | NTN | RF930 | 10 |
| FL604 | NTN | RF1240 | 10 |
| FL605 | NTN | F605 | 12 |
| FL605ZZ | NTN | F605 ZZ | 12 |
| FL606 | NTN | F606 | 12 |
| FL606ZZ | NTN | F606 ZZ | 12 |
| FL607 | NTN | F607 | 12 |
| FL607ZZ | NTN | F607 ZZ | 12 |
| FL608 | NTN | F608 | 12 |
| FL608ZZ | NTN | F608 ZZ | 12 |
| FL623 | NTN | F623 | 12 |
| FL623ZZ | NTN | F623 ZZ | 12 |

| PART # | MANUF. | BL # | PAGE # |
|--------------|--------|----------|--------|
| FL624 | NTN | F624 | 12 |
| FL624ZZ | NTN | F624 ZZ | 12 |
| FL625 | NTN | F625 | 12 |
| FL625ZZ | NTN | F625 ZZ | 12 |
| FL626 | NTN | F626 | 12 |
| FL626ZZ | NTN | F626 ZZ | 12 |
| FL627 | NTN | F627 | 12 |
| FL627ZZ | NTN | F627 ZZ | 12 |
| FL634 | NTN | F634 | 12 |
| FL634ZZ | NTN | F634 ZZ | 12 |
| FL68/1.5 | NTN | LF415 | 10 |
| FL68/2.5 | NTN | LF625 | 10 |
| FL681 | NTN | LF310 | 10 |
| FL682 | NTN | LF520 | 10 |
| FL683 | NTN | LF730 | 10 |
| FL684 | NTN | LF940 | 10 |
| FL685 | NTN | LF1150 | 10 |
| FL686 | NTN | LF1360 | 10 |
| FL687 | NTN | LF1470 | 10 |
| FL688 | NTN | LF1680 | 10 |
| FL689 | NTN | LF1790 | 10 |
| FL69/1.5 | NTN | RF515 | 10 |
| FL69/2.5 | NTN | RF725 | 10 |
| FL691 | NTN | RF410 | 10 |
| FL692 | NTN | RF620 | 10 |
| FL693 | NTN | RF830 | 10 |
| FL694 | NTN | RF1140 | 10 |
| FL694ZZ | NTN | RF1140ZZ | 10 |
| FL695 | NTN | RF1350 | 10 |
| FL695ZZ | NTN | RF1350ZZ | 10 |
| FL696 | NTN | RF1560 | 10 |
| FL696ZZ | NTN | RF1560ZZ | 10 |
| FLW60/1.5ZZA | NTN | RF615ZZ | 10 |
| FLW60/2.5ZZA | NTN | RF825ZZ | 10 |
| FLW602ZZA | NTN | RF720ZZ | 10 |
| FLW603ZZ | NTN | RF930ZZ | 10 |
| FLW68/2.5ZZA | NTN | LF625ZZ | 10 |
| FLW682ZZA | NTN | LF520ZZ | 10 |
| FLW684ZZ | NTN | RF1140ZZ | 10 |
| FLW685ZZ | NTN | LF1150ZZ | 10 |
| FLW686ZZ | NTN | LF1360ZZ | 10 |
| FLW687ZZ | NTN | LF1470ZZ | 10 |
| FLW688ZZ | NTN | LF1680ZZ | 10 |
| FLW689ZZ | NTN | LF1790ZZ | 10 |
| FLW69/1.5ZZA | NTN | RF515ZZ | 10 |
| FLW69/2.5ZZA | NTN | RF725ZZ | 10 |
| FLW692ZZA | NTN | RF620ZZ | 10 |
| FLW693ZZ | NTN | RF830ZZ | 10 |
| FX2.5 | ADR | RF725 | 10 |
| FX2.5ZZ | ADR | RF725ZZ | 10 |
| FX3 | ADR | RF830 | 10 |
| FX3ZZ | ADR | RF830ZZ | 10 |
| FX5 | ADR | LF1150 | 10 |
| FX8 | ADR | LF1680 | 10 |
| L1040 | NMB | L1040 | 9 |

| PART # | MANUF. | BL # | PAGE # |
|-----------|--------|-----------|--------|
| L1040ZZ | NMB | L1040ZZ | 9 |
| L1050 | NMB | L1050 | 9 |
| L1050ZZ | NMB | L1050ZZ | 9 |
| L1060 | NMB | L1060 | 9 |
| L1060ZZ | NMB | L1060ZZ | 9 |
| L1150 | NMB | L1150 | 9 |
| L1150ZZ | NMB | L1150ZZ | 9 |
| L1170 | NMB | L1170 | 9 |
| L1170ZZ | NMB | L1170ZZ | 9 |
| L1260 | NMB | L1260 | 9 |
| L1260ZZ | NMB | L1260ZZ | 9 |
| L1280 | NMB | L1280 | 9 |
| L1280ZZ | NMB | L1280ZZ | 9 |
| L1360 | NMB | L1360 | 9 |
| L1360ZZ | NMB | L1360ZZ | 9 |
| L1370 | NMB | L1370 | 9 |
| L1370ZZ | NMB | L1370ZZ | 9 |
| L1470 | NMB | L1470 | 9 |
| L1470ZZ | NMB | L1470ZZ | 9 |
| L1480 | NMB | L1480 | 9 |
| L1480ZZ | NMB | L1480ZZ | 9 |
| L1680 | NMB | L1680 | 9 |
| L1680ZZ | NMB | L1680ZZ | 9 |
| L1790 | NMB | L1790 | 9 |
| L1790ZZ | NMB | L1790ZZ | 9 |
| L1910 | NMB | L1910 | 9 |
| L1910ZZ | NMB | L1910ZZ | 9 |
| L2090 | NMB | L2090 | 9 |
| L2090ZZ | NMB | L2090ZZ | 9 |
| L310 | NMB | L310 | 9 |
| L415 | NMB | L415 | 9 |
| L415ZZ | NMB | L415ZZ | 9 |
| L520 | NMB | L520 | 9 |
| L520ZZ | NMB | L520ZZ | 9 |
| L520ZZW52 | NMB | L520ZZW52 | 9 |
| L625 | NMB | L625 | 9 |
| L625ZZ | NMB | L625ZZ | 9 |
| L630 | NMB | L630 | 9 |
| L630ZZ | NMB | L630ZZ | 9 |
| L730 | NMB | L730 | 9 |
| L730ZZ | NMB | L730ZZ | 9 |
| L740 | NMB | L740 | 9 |
| L740ZZ | NMB | L740ZZ | 9 |
| L840 | NMB | L840 | 9 |
| L840ZZ | NMB | L840ZZ | 9 |
| L850 | NMB | L850 | 9 |
| L850ZZ | NMB | L850ZZ | 9 |
| L940 | NMB | L940 | 9 |
| L940ZZ | NMB | L940ZZ | 9 |
| L950 | NMB | L950 | 9 |
| L950ZZ | NMB | L950ZZ | 9 |
| LF1040 | NMB | LF1040 | 10 |
| LF1040ZZ | NMB | LF1040ZZ | 10 |
| LF1050 | NMB | LF1050 | 10 |
| LF1050ZZ | NMB | LF1050ZZ | 10 |

| PART # | MANUF. | BL # | PAGE # |
|----------|--------|-----------|--------|
| LF1060 | NMB | LF1060 | 10 |
| LF1060ZZ | NMB | LF1060ZZ | 10 |
| LF1150 | NMB | LF1150 | 10 |
| LF1150ZZ | NMB | LF1150ZZ | 10 |
| LF1170 | NMB | LF1170 | 10 |
| LF1170ZZ | NMB | LF1170ZZ | 10 |
| LF1260 | NMB | LF1260 | 10 |
| LF1260ZZ | NMB | LF1260ZZ | 10 |
| LF1280 | NMB | LF1280 | 10 |
| LF1280ZZ | NMB | LF1280ZZ | 10 |
| LF1360 | NMB | LF1360 | 10 |
| LF1360ZZ | NMB | LF1360ZZ | 10 |
| LF1370 | NMB | LF1370 | 10 |
| LF1370ZZ | NMB | LF1370ZZ | 10 |
| LF1470 | NMB | LF1470 | 10 |
| LF1470ZZ | NMB | LF1470ZZ | 10 |
| LF1480 | NMB | LF1480 | 10 |
| LF1480ZZ | NMB | LF1480ZZ | 10 |
| LF1680 | NMB | LF1680 | 10 |
| LF1680ZZ | NMB | LF1680ZZ | 10 |
| LF1790 | NMB | LF1790 | 10 |
| LF1790ZZ | NMB | LF1790ZZ | 10 |
| LF310 | NMB | LF310 | 10 |
| LF415 | NMB | LF415 | 10 |
| LF520 | NMB | LF520 | 10 |
| LF520ZZ | NMB | LF520ZZ | 10 |
| LF625 | NMB | LF625 | 10 |
| LF625ZZ | NMB | LF625ZZ | 10 |
| LF630 | NMB | LF630 | 10 |
| LF630ZZ | NMB | LF630ZZ | 10 |
| LF730 | NMB | LF730 | 10 |
| LF730ZZ | NMB | LF730ZZ | 10 |
| LF740 | NMB | LF740 | 10 |
| LF740ZZ | NMB | LF740ZZ | 10 |
| LF840 | NMB | LF840 | 10 |
| LF840ZZ | NMB | LF840ZZ | 10 |
| LF850 | NMB | LF850 | 10 |
| LF850ZZ | NMB | LF850ZZ | 10 |
| LF940 | NMB | LF940 | 10 |
| LF940ZZ | NMB | LF940ZZ | 10 |
| LF950 | NMB | LF950 | 10 |
| LF950ZZ | NMB | LF950ZZ | 10 |
| M0308A | ND | SSRI-2 | 5 |
| M0310 | ND | SSRI2 1/2 | 5 |
| M0412A | ND | SSRI-3 | 5 |
| M0516 | ND | SSRI-4 | 5 |
| M0612 | ND | SSRI3332 | 5 |
| M0620 | ND | SSRI-5 | 5 |
| M0816 | ND | SSRI418 | 5 |
| M0820 | ND | SSRI518 | 5 |
| M1020 | ND | SSRI5532 | 5 |
| M1220 | ND | SSRI5632 | 5 |
| M1224 | ND | SSRI6632 | 5 |
| M1624 | ND | SSRI614 | 5 |
| M1632 | ND | SSRI814 | 5 |

| PART # | MANUF. | BL # | PAGE # |
|----------|--------|----------|--------|
| M2032 | ND | SSRI8516 | 5 |
| MF104 | EZO | LF1040 | 10 |
| MF104ZZ | EZO | LF1040ZZ | 10 |
| MF105 | EZO | LF1050 | 10 |
| MF105ZZ | EZO | LF1050ZZ | 10 |
| MF106 | EZO | LF1060 | 10 |
| MF106ZZ | EZO | LF1060ZZ | 10 |
| MF117 | EZO | LF1170 | 10 |
| MF117ZZ | EZO | LF1170ZZ | 10 |
| MF126 | EZO | LF1060 | 10 |
| MF126ZZ | EZO | LF1260ZZ | 10 |
| MF128 | EZO | LF1280 | 10 |
| MF128ZZ | EZO | LF1280ZZ | 10 |
| MF137 | EZO | LF1370 | 10 |
| MF137ZZ | EZO | LF1370ZZ | 10 |
| MF148 | EZO | LF1480 | 10 |
| MF148ZZ | EZO | LF1480ZZ | 10 |
| MF63 | EZO | LF630 | 10 |
| MF63ZZ | EZO | LF630ZZ | 10 |
| MF74 | EZO | LF740 | 10 |
| MF74ZZ | EZO | LF740ZZ | 10 |
| MF84 | EZO | LF840 | 10 |
| MF84ZZ | EZO | LF840ZZ | 10 |
| MF85 | EZO | LF850 | 10 |
| MF85ZZ | EZO | LF850ZZ | 10 |
| MF95 | EZO | LF950 | 10 |
| MF95ZZ | EZO | LF950ZZ | 10 |
| MR104 | EZO | L1040 | 9 |
| MR104ZZ | EZO | L1040ZZ | 9 |
| MR105 | EZO | L1050 | 9 |
| MR105ZZ | EZO | L1050ZZ | 9 |
| MR106 | EZO | L1060 | 9 |
| MR106ZZ | EZO | L1060ZZ | 9 |
| MR117 | EZO | L1170 | 9 |
| MR117ZZ | EZO | L1170ZZ | 9 |
| MR126 | EZO | L1260 | 9 |
| MR126ZZ | EZO | L1260ZZ | 9 |
| MR128 | EZO | L1280 | 9 |
| MR128ZZ | EZO | L1280ZZ | 9 |
| MR137 | EZO | L1370 | 9 |
| MR137ZZ | EZO | L1370ZZ | 9 |
| MR148 | EZO | L1480 | 9 |
| MR148ZZ | EZO | L1480ZZ | 9 |
| MR41X | EZO | R412 | 9 |
| MR607 | FAG | 607 | 11 |
| MR607.ZZ | FAG | 607 ZZ | 11 |
| MR608 | FAG | 608 | 11 |
| MR608.ZZ | FAG | 608 ZZ | 11 |
| MR626 | FAG | 626 | 11 |
| MR626.ZZ | FAG | 626 ZZ | 11 |
| MR627 | FAG | 627 | 11 |
| MR627.ZZ | FAG | 627 ZZ | 11 |
| MR629 | FAG | 629 | 11 |
| MR629.ZZ | FAG | 629 ZZ | 11 |
| MR63 | EZO | L630 | 9 |

| PART # | MANUF. | BL # | PAGE # |
|----------|--------|------------|--------|
| MR634 | FAG | 634 | 11 |
| MR634.ZZ | FAG | 634 ZZ | 11 |
| MR635 | FAG | 635 | 11 |
| MR635.ZZ | FAG | 635 ZZ | 11 |
| MR63ZZ | EZO | L630ZZ | 9 |
| MR74 | EZO | L740 | 9 |
| MR74ZZ | EZO | L740ZZ | 9 |
| MR84 | EZO | L840 | 9 |
| MR84ZZ | EZO | L840ZZ | 9 |
| MR85 | EZO | L850 | 9 |
| MR85ZZ | EZO | L850ZZ | 9 |
| MR95 | EZO | L950 | 9 |
| MR95ZZ | EZO | L950ZZ | 9 |
| NM0310 | ND | SSRIF2 1/2 | 6 |
| NM0412A | ND | SSRIF-3 | 6 |
| NM0516 | ND | SSRIF-4 | 6 |
| NM0612 | ND | SSRIF3332 | 6 |
| NM0620 | ND | SSRIF-5 | 6 |
| NM0816 | ND | SSRIF418 | 6 |
| NM0820 | ND | SSRIF518 | 6 |
| NM1020 | ND | SSRIF5532 | 6 |
| NM1220 | ND | SSRIF5632 | 6 |
| NM1224 | ND | SSRIF6632 | 6 |
| NM1624 | ND | SSRIF614 | 6 |
| NM1632 | ND | SSRIF814 | 6 |
| NM2032 | ND | SSRIF8516 | 6 |
| R1030 | NMB | 623 | 11 |
| R1030ZZ | NMB | 623ZZ | 11 |
| R1140 | NMB | R1140 | 9 |
| R1140ZZ | NMB | R1140ZZ | 9 |
| R1240 | NMB | R1240 | 9 |
| R1240ZZ | NMB | R1240ZZ | 9 |
| R1340 | NMB | 624 | 11 |
| R1340ZZ | NMB | 624ZZ | 11 |
| R1350 | NMB | R1350 | 9 |
| R1350ZZ | NMB | R1350ZZ | 9 |
| R1450 | NMB | 605 | 11 |
| R1450ZZ | NMB | 605 ZZ | 11 |
| R1550X | RMB | SSR515 | 9 |
| R1560 | NMB | R1560 | 9 |
| R1560ZZ | NMB | R1560 ZZ | 9 |
| R1640 | NMB | 634 | 11 |
| R1640ZZ | NMB | 634 ZZ | 11 |
| R1650 | NMB | 625 | 11 |
| R1650ZZ | NMB | 625 ZZ | 11 |
| R1706X | RMB | SSRI-3 | 5 |
| R1760 | NMB | 606 | 11 |
| R1760ZZ | NMB | 606 ZZ | 11 |
| R1950 | NMB | 635 | 11 |
| R1950ZZ | NMB | 635 ZZ | 11 |
| R1960 | NMB | 626 | 11 |
| R1960ZZ | NMB | 626 ZZ | 11 |
| R1970 | NMB | 607 | 11 |
| R1970ZZ | NMB | 607 ZZ | 11 |
| R2 | NMB | R2 | 5 |

| PART # | MANUF. | BL # | PAGE # |
|----------|--------|---------|--------|
| R2060X | RMB | SSR620 | 9 |
| R2270 | NMB | 627 | 11 |
| R2270ZZ | NMB | 627 ZZ | 11 |
| R2280 | NMB | 608 | 11 |
| R2280ZZ | NMB | 608 ZZ | 11 |
| R2508X | RMB | SSR825 | 9 |
| R2690 | NMB | 629 | 11 |
| R2690ZZ | NMB | 629 ZZ | 11 |
| R2A | NMB | R2A | 5 |
| R2AZZ | NMB | R2A ZZ | 5 |
| R2ZZ | NMB | R2 ZZ | 5 |
| R3 | NMB | R3 | 5 |
| R3010X | RMB | SSRI-5 | 5 |
| R3100X | RMB | SS623 | 11 |
| R3ZZ | NMB | R3 ZZ | 5 |
| R4 | NMB | R4 | 5 |
| R4010X | RMB | SSRI518 | 5 |
| R4012X | RMB | SSR2 | 5 |
| R412 | NMB | R412 | 9 |
| R4130X | RMB | SS624 | 11 |
| R4160X | RMB | SS634 | 11 |
| R4ZZ | NMB | R4 ZZ | 5 |
| R515 | NMB | R515 | 9 |
| R515 | NMB | R515 | 9 |
| R515ZZ | NMB | R515ZZ | 9 |
| R515ZZ | NMB | R515ZZ | 9 |
| R5160X | RMB | SS625 | 11 |
| R5190X | RMB | SS635 | 5 |
| R6016X | RMB | SSR3 | 9 |
| R615 | NMB | R615 | 9 |
| R615ZZ | NMB | R615ZZ | 11 |
| R6190X | RMB | SS626 | 9 |
| R620 | NMB | R620 | 9 |
| R620 | NMB | R620 | 9 |
| R620ZZ | NMB | R620ZZ | 9 |
| R620ZZ | NMB | R620ZZ | 9 |
| R7190X | RMB | SS607 | 11 |
| R720 | NMB | R720 | 9 |
| R720ZZ | NMB | R720ZZ | 9 |
| R7220X | RMB | SS627 | 11 |
| R725 | NMB | R725 | 9 |
| R725ZZ | NMB | R725ZZ | 9 |
| R8020X | RMB | SS608 | 11 |
| R8024X | RMB | SSR4A | 5 |
| R825 | NMB | R825 | 9 |
| R825 | NMB | R825 | 9 |
| R825ZZ | NMB | R825ZZ | 9 |
| R825ZZ | NMB | R825ZZ | 9 |
| R830 | NMB | R830 | 9 |
| R830ZZ | NMB | R830ZZ | 9 |
| R930 | NMB | R930 | 9 |
| R930ZZ | NMB | R930ZZ | 9 |
| RF1030 | NMB | F623 | 12 |
| RF1030ZZ | NMB | F623 ZZ | 12 |
| RF1140 | NMB | RF1140 | 10 |

| PART # | MANUF. | BL # | PAGE # |
|------------|--------|-----------|--------|
| RF1140ZZ | NMB | RF1140 ZZ | 10 |
| RF1240 | NMB | RF1240 | 10 |
| RF1240ZZ | NMB | RF1240 | 10 |
| RF1340 | NMB | F624 | 12 |
| RF1340ZZ | NMB | F624 ZZ | 12 |
| RF1350 | NMB | RF1350 | 10 |
| RF1350ZZ | NMB | RF1350ZZ | 10 |
| RF1450 | NMB | F605 | 12 |
| RF1450ZZ | NMB | F605 ZZ | 12 |
| RF1560 | NMB | RF1560 | 10 |
| RF1560ZZ | NMB | RF1560 ZZ | 10 |
| RF1640 | NMB | F634 | 12 |
| RF1640ZZ | NMB | F634 ZZ | 12 |
| RF1650 | NMB | F625 | 12 |
| RF1650ZZ | NMB | F625 ZZ | 12 |
| RF1706X | RMB | SSRI-3ZZ | 5 |
| RF1760 | NMB | F606 | 12 |
| RF1760ZZ | NMB | F606 ZZ | 12 |
| RF1960 | NMB | F626 | 12 |
| RF1960ZZ | NMB | F626 ZZ | 12 |
| RF1970 | NMB | F607 | 12 |
| RF1970ZZ | NMB | F607 ZZ | 12 |
| RF2 | NMB | FR2 | 6 |
| RF2270 | NMB | F627 | 12 |
| RF2270ZZ | NMB | F627 ZZ | 12 |
| RF2280 | NMB | F608 | 12 |
| RF2280ZZ | NMB | F608 ZZ | 12 |
| RF2508X | RMB | SSRI-4ZZ | 5 |
| RF2ZZ | NMB | FR2 ZZ | 6 |
| RF3 | NMB | FR3 | 6 |
| RF3010X | RMB | SSRI-5ZZ | 5 |
| RF3ZZ | NMB | FR3 ZZ | 6 |
| RF4 | NMB | FR4 | 6 |
| RF410 | NMB | RF410 | 10 |
| RF412 | NMB | RF412 | 10 |
| RF4ZZ | NMB | FR4 ZZ | 6 |
| RF515 | NMB | RF515 | 10 |
| RF515ZZ | NMB | RF515ZZ | 10 |
| RF615 | NMB | RF615 | 10 |
| RF615ZZ | NMB | RF615ZZ | 10 |
| RF620 | NMB | RF620 | 10 |
| RF620ZZ | NMB | RF620ZZ | 10 |
| RF720 | NMB | RF720 | 10 |
| RF720ZZ | NMB | RF720ZZ | 10 |
| RF725 | NMB | RF725 | 10 |
| RF725ZZ | NMB | RF725ZZ | 10 |
| RF825 | NMB | RF825 | 10 |
| RF825ZZ | NMB | RF825ZZ | 10 |
| RF830 | NMB | RF830 | 10 |
| RF830ZZ | NMB | RF820ZZ | 10 |
| RF930 | NMB | RF930 | 10 |
| RF930ZZ | NMB | RF930ZZ | 10 |
| RI-2 | NMB | RI-2 | 5 |
| RI-2 1/2 | NMB | RI2 1/2 | 5 |
| RI-2 1/2ZZ | NMB | RI2 1/2ZZ | 5 |

| PART # | MANUF. | BL # | PAGE # |
|-------------|--------|------------|--------|
| RI-3 | NMB | RI-3 | 5 |
| RI-3ZZ | NMB | RI-3ZZ | 5 |
| RI-4 | NMB | RI-4 | 5 |
| RI-4ZZ | NMB | RI-4ZZ | 5 |
| RI-5ZZ | NMB | RI-5ZZ | 5 |
| RI1412 | NMB | R4A | 5 |
| RI1412ZZ | NMB | R4A ZZ | 5 |
| RI1438 | NMB | R6 | 5 |
| RI1438ZZ | NMB | R6 ZZ | 5 |
| RI3332 | NMB | RI3332 | 5 |
| RI3332ZZ | NMB | RI3332ZZ | 5 |
| RI418 | NMB | RI418 | 5 |
| RI418ZZ | NMB | RI418ZZ | 5 |
| RI518 | NMB | R1518 | 5 |
| RI518ZZ | NMB | RI518ZZ | 5 |
| RI5532 | NMB | RI5532 | 5 |
| RI5532ZZ | NMB | RI5532ZZ | 5 |
| RI5632 | NMB | RI5632 | 5 |
| RI5632ZZ | NMB | RI5632ZZ | 5 |
| RI614 | NMB | RI614 | 5 |
| RI614ZZ | NMB | RI614ZZ | 5 |
| RI618 | NMB | RI618 | 5 |
| RI618ZZ | NMB | RI618ZZ | 5 |
| RI6632 | NMB | RI6632 | 5 |
| RI6632ZZ | NMB | RI6632ZZ | 5 |
| RI814 | NMB | RI814 | 5 |
| RI814ZZ | NMB | RI814ZZ | 5 |
| RI8516 | NMB | RI8516 | 5 |
| RI8516ZZ | NMB | RI8516ZZ | 5 |
| RIF-2 1/2 | NMB | RIF2 1/2 | 6 |
| RIF-2 1/2ZZ | NMB | RIF2 1/2ZZ | 6 |
| RIF-3 | NMB | RIF-3 | 6 |
| RIF-3ZZ | NMB | RIF-3ZZ | 6 |
| RIF-4 | NMB | RIF-4 | 6 |
| RIF-4ZZ | NMB | RIF-4ZZ | 6 |
| RIF-5 | NMB | RIF-5 | 6 |
| RIF-5ZZ | NMB | RIF-5ZZ | 6 |
| RIF1438ZZ | NMB | FR6 ZZ | 6 |
| RIF3332 | NMB | RIF3332 | 6 |
| RIF3332ZZ | NMB | RIF3332ZZ | 6 |
| RIF418 | NMB | RIF418 | 6 |
| RIF418ZZ | NMB | RIF418ZZ | 6 |
| RIF518 | NMB | RIF518 | 6 |
| RIF518ZZ | NMB | RIF518ZZ | 6 |
| RIF5532 | NMB | RIF5532 | 6 |
| RIF5532ZZ | NMB | RIF5532ZZ | 6 |
| RIF5632 | NMB | RIF5632 | 6 |
| RIF5632ZZ | NMB | RIF5632ZZ | 6 |
| RIF614 | NMB | RIF614 | 6 |
| RIF614ZZ | NMB | RIF614ZZ | 6 |
| RIF618 | NMB | RIF618 | 6 |
| RIF618ZZ | NMB | RIF618ZZ | 6 |
| RIF6632 | NMB | RIF6632 | 6 |
| RIF6632ZZ | NMB | RIF6632ZZ | 6 |
| RIF814 | NMB | RIF814 | 6 |

| PART # | MANUF. | BL # | PAGE # |
|-------------|--------|----------------|--------|
| RIF814ZZ | NMB | RIF814ZZ | 6 |
| RIF8516 | NMB | RIF8516 | 6 |
| RIF8516ZZ | NMB | RIF8516ZZ | 6 |
| RK1706X | RMB | SSRIF-3 | 6 |
| RK2508X | RMB | SSRIF-4 | 6 |
| RK3010X | RMB | SSRIF-5 | 6 |
| RK4010X | RMB | SSRIF518 | 6 |
| RK4012X | RMB | SSFR2 | 6 |
| RK6016X | RMB | SSFR3 | 6 |
| RKZ1706X | RMB | SSRIF-3ZZ | 6 |
| RKZ2508X | RMB | SSRIF-4ZZ | 6 |
| RKZ3010X | RMB | SSRIF-5ZZ | 6 |
| RKZ4010X | RMB | SSRIF518ZZ | 6 |
| RKZ4012X | RMB | SSFR2 ZZ | 6 |
| RKZ6016X | RMB | SSFR3 ZZ | 6 |
| RZ310X | RMB | SS623 ZZ | 11 |
| RZ4010X | RMB | SSRI518ZZ | 5 |
| RZ4012X | RMB | SSR2 ZZ | 5 |
| RZ413X | RMB | SS624 ZZ | 11 |
| RZ416 | RMB | SS634 ZZ | 11 |
| RZ516 | RMB | SS625 ZZ | 11 |
| RZ519 | RMB | SS635 ZZ | 11 |
| RZ6016X | RMB | SSR3 ZZ | 11 |
| RZ619 | RMB | SS626 ZZ | 11 |
| RZ722 | RMB | SS627 ZZ | 11 |
| RZ8020X | RMB | SSR4 ZZ | 5 |
| RZ822 | RMB | SS608 ZZ | 11 |
| S1016 | GRW | SSRI-2 | 5 |
| S1191 | GRW | SSRI2 1/2 | 5 |
| S1191 2Z | GRW | SSRI2 1/2ZZ | 5 |
| S1397 | GRW | SSRI-3 | 5 |
| S1397 2Z | GRW | SSRIF-3ZZ | 6 |
| S1397 2Z | GRW | SSRI-3ZZ | 5 |
| S2 1/2C | MPB | SSRI2 1/2 | 5 |
| S2 1/2CE | MPB | SSRI-2 1/2EE | 7 |
| S2 1/2CHH | MPB | SSRI2 1/2ZZ | 5 |
| S2 1/2CHHE | MPB | SSRI2 1/2ZZEE | 7 |
| S2 1/2FC | MPB | SSRIF2 1/2 | 6 |
| S2 1/2FCE | MPB | SSRIF2 1/2EE | 8 |
| S2 1/2FCHH | MPB | SSRIF 2 1/2ZZ | 6 |
| S2 1/2FCHHE | MPB | SSRIF2 1/2ZZEE | 8 |
| S2380 | GRW | SSRI3332 | 5 |
| S2380 2Z | GRW | SSRI3332ZZ | 5 |
| S2C | MPB | SSRI-2 | 5 |
| S2CE | MPB | SSRI-2EE | 7 |
| S2CHHE | MPB | SSRI-2ZZEE | 7 |
| S2FCE | MPB | SSRIF-2EE | 8 |
| S2FCHHE | MPB | SSRIF-2ZZEE | 8 |
| S3175 | GRW | SSRI418 | 5 |
| S3175 2Z | GRW | SSRI418 | 5 |
| S3332C | MPB | SSRI3332 | 5 |
| S3332CE | MPB | SSRI3332EE | 7 |
| S3332CHH | MPB | SSRI3332ZZ | 5 |
| S3332CHHE | MPB | SSRI3332ZZEE | 7 |
| S3332FC | MPB | SSRIF3332 | 6 |

| PART # | MANUF. | BL # | PAGE # |
|------------|--------|---------------|--------|
| S3332FCE | MPB | SSRIF3332EE | 8 |
| S3332FCHH | MPB | SSRIF3332ZZ | 6 |
| S3332FCHHE | MPB | SSRIF3332ZZEE | 8 |
| S34-5K | BARDEN | SS625 | 11 |
| S34-5SS | BARDEN | SS625 ZZ | 11 |
| S34K | BARDEN | SS634 | 11 |
| S34SS | BARDEN | SS634 ZZ | 11 |
| S35K | BARDEN | SS635 | 11 |
| S35SS | BARDEN | SS635 ZZ | 11 |
| S36K | BARDEN | SS626 | 11 |
| S36SS | BARDEN | SS626 ZZ | 11 |
| S37K | BARDEN | SS627 | 11 |
| S37SS | BARDEN | SS627 ZZ | 11 |
| S38K | BARDEN | SS608 | 11 |
| S38SS | BARDEN | SS608 ZZ | 11 |
| S3967 | GRW | SSRI5532 | 5 |
| S3967 2Z | GRW | SSRI5532ZZ | 5 |
| S39K | BARDEN | SS629 | 11 |
| S39SS | BARDEN | SS629 ZZ | 11 |
| S3C | MPB | SSRI-3 | 5 |
| S3CE | MPB | SSRI-3EE | 5 |
| S3CHH | MPB | SSRI-3ZZ | 5 |
| S3CHHE | MPB | SSRI-3ZZEE | 5 |
| S3FC | MPB | SSRIF-3 | 6 |
| S3FCE | MPB | SSRIF-3EE | 8 |
| S3FCHH | MPB | SSRIF-3ZZ | 6 |
| S3FCHHE | MPB | SSRIF-3ZZEE | 8 |
| S418C | MPB | SSRI418 | 5 |
| S418CE | MPB | SSRI418EE | 7 |
| S418CHH | MPB | SSRI418ZZ | 5 |
| S418CHH | MPB | SSRI418ZZEE | 7 |
| S418FC | MPB | SSRIF418 | 6 |
| S418FCE | MPB | SSRIF418E | 8 |
| S418FCHH | MPB | SSRIF418ZZ | 6 |
| S418FCHHE | MPB | SSRIF418ZZEE | 8 |
| S4763A | GRW | SSRI5632 | 5 |
| S4763B | GRW | SSRI6632 | 5 |
| S4763B 2Z | GRW | SSRI6632ZZ | 5 |
| S4763Z 2Z | GRW | SSRI5632ZZ | 5 |
| S4C | MPB | SSRI-4 | 5 |
| S4CE | MPB | SSRI-4EE | 7 |
| S4CHH | MPB | SSRI-4ZZ | 5 |
| S4CHHE | MPB | SSRI-4ZZEE | 7 |
| S4FC | MPB | SSRIF-4 | 6 |
| S4FCE | MPB | SSRIF-4EE | 8 |
| S4FCHH | MPB | SSRIF-4ZZ | 6 |
| S4FCHHE | MPB | SSRIF-4ZZEE | 8 |
| S518C | MPB | SSRI518 | 5 |
| S518CE | MPB | SSRI518EE | 7 |
| S518CHH | MPB | SSRI518ZZ | 5 |
| S518CHHE | MPB | SSRI518ZZEE | 7 |
| S518FCE | MPB | SSRIF518EE | 8 |
| S518FCHHE | MPB | SSRIF518ZZEE | 8 |
| S5532C | MPB | SSRI5532 | 5 |
| S5532CE | MPB | SSRI5532EE | 7 |

| PART # | MANUF. | BL # | PAGE # |
|------------|--------|---------------|--------|
| S5532CHH | MPB | SSRI5532ZZ | 5 |
| S5532CHHE | MPB | SSRI5532ZZEE | 7 |
| S5532FC | MPB | SSRIF5532 | 6 |
| S5532FCE | MPB | SSRIF5532EE | 8 |
| S5532FCHH | MPB | SSRIF5532ZZ | 6 |
| S5532FCHHE | MPB | SSRIF5532ZZEE | 8 |
| S5632C | MPB | SSRI5632 | 5 |
| S5632CE | MPB | SSRI5632EE | 7 |
| S5632CHH | MPB | SSRI5632ZZ | 5 |
| S5632CHHE | MPB | SSRI5632ZZEE | 7 |
| S5632FC | MPB | SSRIF5632 | 6 |
| S5632FC | MPB | SSRIF5632EE | 8 |
| S5632FCHH | MPB | SSRIF5632ZZ | 6 |
| S5632FCHHE | MPB | SSRIF5632ZZEE | 8 |
| S5C | MPB | SSRI-5 | 5 |
| S5CE | MPB | SSRI-5EE | 7 |
| S5CHH | MPB | SSRI-5ZZ | 5 |
| S5CHHE | MPB | SSRI-5ZZEE | 7 |
| S5FC | MPB | SSRI-5 | 6 |
| S5FCE | MPB | SSRIF-5EE | 8 |
| S5FCHH | MPB | SSRIF-5ZZ | 6 |
| S5FCHHE | MPB | SSRIF-5ZZEE | 8 |
| S60/2.5 | GRW | SSR825 | 9 |
| S60/2.5 2Z | GRW | SSR825ZZ | 9 |
| S607 | GRW | SS607 | 11 |
| S607 2Z | GRW | SS607 ZZ | 11 |
| S608 | GRW | SS608 | 11 |
| S608 2Z | GRW | SS608 ZZ | 11 |
| S614C | MPB | SSRI614 | 5 |
| S614CE | MPB | SSRI614EE | 7 |
| S614CHH | MPB | SSRI614ZZ | 5 |
| S614CHHE | MPB | SSRI614ZZEE | 7 |
| S614FC | MPB | SSRIF614 | 6 |
| S614FCE | MPB | SSRIF614EE | 8 |
| S614FCHH | MPB | SSRIF614ZZ | 6 |
| S614FCHHE | MPB | SSRIF614ZZEE | 8 |
| S618C | MPB | SSRI618 | 5 |
| S618CE | MPB | SSRI618EE | 7 |
| S618CHH | MPB | SSRI618ZZ | 5 |
| S618CHHE | MPB | SSRI618ZZEE | 7 |
| S618FC | MPB | SSRIF618 | 6 |
| S618FCE | MPB | SSRIF618EE | 8 |
| S618FCHH | MPB | SSRIF618ZZ | 6 |
| S618FCHHE | MPB | SSRIF618ZZEE | 8 |
| S623 | GRW | SS623 | 11 |
| S623 2Z | GRW | SS623 ZZ | 11 |
| S624 | GRW | SS624 | 11 |
| S624 2Z | GRW | SS624 ZZ | 11 |
| S625 | GRW | SS625 | 11 |
| S625 2Z | GRW | SS625 ZZ | 11 |
| S626 | GRW | SS626 | 11 |
| S626 2Z | GRW | SS626 ZZ | 11 |
| S627 | GRW | SS627 | 11 |
| S627 2Z | GRW | SS627 ZZ | 11 |
| S629 | GRW | SS629 | 11 |

| PART # | MANUF. | BL # | PAGE # |
|------------|--------|---------------|--------|
| S629 2Z | GRW | SS629 ZZ | 11 |
| S6316C | MPB | SSRI6632 | 5 |
| S6316CE | MPB | SSRI6632EE | 7 |
| S6316CHH | MPB | SSRI6632ZZ | 5 |
| S6316CHHE | MPB | SSRI6632ZZEE | 7 |
| S6316FC | MPB | SSRIF6632 | 6 |
| S6316FCE | MPB | SSRIF6632EE | 8 |
| S6316FCHH | MPB | SSRIF6632ZZ | 6 |
| S6316FCHHE | MPB | SSRIF6632ZZEE | 8 |
| S634 | GRW | SS634 | 11 |
| S634 2Z | GRW | SS634 ZZ | 11 |
| S6350A | GRW | SSRI614 | 5 |
| S6350A 2Z | GRW | SSRI614 ZZ | 5 |
| S6350B | GRW | SSRI814 | 5 |
| S6350B 2Z | GRW | SSRI814ZZ | 5 |
| S68/1.5 | GRW | SSL415 | 9 |
| S68/1.5 2Z | GRW | SSL415ZZ | 9 |
| S68/2.5 | GRW | SSL625 | 9 |
| S68/2.5 2Z | GRW | SSL625ZZ | 9 |
| S681 | GRW | SSL310 | 9 |
| S682 | GRW | SSL520 | 9 |
| S682 2Z | GRW | SSL520ZZ | 9 |
| S683 | GRW | SSL730 | 9 |
| S683 2Z | GRW | SSL730ZZ | 9 |
| S684 | GRW | SSL940 | 9 |
| S684 2Z | GRW | SSL940ZZ | 9 |
| S685 | GRW | SSL1150 | 9 |
| S685 2Z | GRW | SSL1150ZZ | 9 |
| S686 | GRW | SSL1360 | 9 |
| S686 2Z | GRW | SSL1360ZZ | 9 |
| S687 | GRW | SSL1470 | 9 |
| S687 2Z | GRW | SSL1470ZZ | 9 |
| S688 | GRW | SSL1680 | 9 |
| S689 | GRW | SSL1790 | 9 |
| S69/1.5 | GRW | SSR515 | 9 |
| S69/1.5 2Z | GRW | SSR515ZZ | 9 |
| S69/2.5 | GRW | SSR725 | 9 |
| S69/2.5 2Z | GRW | SSR725ZZ | 9 |
| S692 | GRW | SSR620 | 9 |
| S692 2Z | GRW | SSR620ZZ | 9 |
| S693 | GRW | SSR830 | 9 |
| S693 2Z | GRW | SSR830ZZ | 9 |
| S694 | GRW | SSR1140 | 9 |
| S694 2Z | GRW | SSR1140ZZ | 9 |
| S695 | GRW | SSR1350 | 9 |
| S695 2Z | GRW | SSR1350ZZ | 9 |
| S696 | GRW | SSR1560 | 9 |
| S696 2Z | GRW | SSR1560ZZ | 9 |
| S699 | GRW | SSL2090 | 9 |
| S699 2Z | GRW | SSL2090ZZ | 9 |
| S7936 2Z | GRW | SSRI8516ZZ | 5 |
| S7938 | GRW | SSRI8516 | 5 |
| S814C | MPB | SSR814 | 5 |
| S814CE | MPB | SSRI814EE | 7 |
| S814CHH | MPB | SSRI814ZZ | 5 |

| PART # | MANUF. | BL # | PAGE # |
|-------------|--------|---------------|--------|
| S814CHHE | MPB | SSRI814ZZEE | 7 |
| S814FC | MPB | SSRIF814 | 6 |
| S814FCE | MPB | SSRIF814EE | 8 |
| S814FCHH | MPB | SSRIF814ZZ | 6 |
| S814FCHHE | MPB | SSRIF814ZZEE | 8 |
| S8516CE | MPB | SSRI8516EE | 7 |
| S8516CHHE | MPB | SSRI8516ZZEE | 7 |
| S8516FCE | MPB | SSRIF8516EE | 8 |
| S8516FCHHE | MPB | SSRIF8516ZZEE | 8 |
| S8516FR | MPB | SSRIF8516 | 6 |
| S8516FRHH | MPB | SSRIF8516ZZ | 6 |
| S8516R | MPB | SSRI8516 | 5 |
| S8516RHH | MPB | SSRI8516ZZ | 5 |
| SF1/4A | GRW | SSFR4 | 6 |
| SF1/4A 2Z | GRW | SSFR4 ZZ | 6 |
| SF1/8A | GRW | SSRIF518 | 6 |
| SF1/8A 2Z | GRW | SSRIF518ZZ | 6 |
| SF1/8A/6 | GRW | SSRIF618 | 6 |
| SF1/8A/6 2Z | GRW | SSRIF618ZZ | 6 |
| SF1/8B | GRW | SSFR2 | 6 |
| SF1/8B 2Z | GRW | SSFR2 ZZ | 6 |
| SF1191 | GRW | SSRIF2 1/2 | 6 |
| SF1191 2Z | GRW | SSRIF2 1/2ZZ | 6 |
| SF1397 | GRW | SSRIF-3 | 6 |
| SF2380 | GRW | SSRIF3332 | 6 |
| SF2380 2Z | GRW | SSRIF3332ZZ | 6 |
| SF3/16 2Z | GRW | SSFR3 ZZ | 6 |
| SF3/32 | GRW | SSRIF-5 | 6 |
| SF3/8 2Z | GRW | SSFR6 ZZ | 6 |
| SF3175 | GRW | SSRIF418 | 6 |
| SF3175 2Z | GRW | SSRIF418ZZ | 6 |
| SF3967 | GRW | SSRIF5532 | 6 |
| SF3967 2Z | GRW | SSRIF5532ZZ | 6 |
| SF4763A | GRW | SSRIF5632 | 6 |
| SF4763A 2Z | GRW | SSRIF5632ZZ | 6 |
| SF4763B | GRW | SSRIF6632 | 6 |
| SF4763B 2Z | GRW | SSRIF6632ZZ | 6 |
| SF5/64 | GRW | SSRIF-4 | 6 |
| SF5/64 2Z | GRW | SSRIF-4ZZ | 6 |
| SF607 | GRW | SSF607 | 12 |
| SF607 2Z | GRW | SSF607 ZZ | 12 |
| SF623 | GRW | SSF623 | 12 |
| SF623 2Z | GRW | SSF623 ZZ | 12 |
| SF624 | GRW | SSF624 | 12 |
| SF624 2Z | GRW | SSF624 ZZ | 12 |
| SF625 | GRW | SSF625 | 12 |
| SF625 2Z | GRW | SSF625 ZZ | 12 |
| SF626 | GRW | SSF626 | 12 |
| SF626 2Z | GRW | SSF626 ZZ | 12 |
| SF634 | GRW | SSF624 | 12 |
| SF634 2Z | GRW | SSF634 ZZ | 12 |
| SF6350A | GRW | SSRIF614 | 6 |
| SF6350A 2Z | GRW | SSRIF614ZZ | 6 |
| SF6350B | GRW | SSRIF814 | 6 |
| SF6350B 2Z | GRW | SSRIF814ZZ | 6 |

| PART # | MANUF. | BL # | PAGE # |
|-------------|--------|--------------|--------|
| SF68/1.5 | GRW | SSLF415 | 10 |
| SF68/2.5 | GRW | SSLF625 | 10 |
| SF68/2.5 2Z | GRW | SSLF625ZZ | 10 |
| SF681 | GRW | SSLF310 | 10 |
| SF682 | GRW | SSLF520 | 10 |
| SF682 2Z | GRW | SSLF520ZZ | 10 |
| SF683 | GRW | SSLF730 | 10 |
| SF683 2Z | GRW | SSLF730ZZ | 10 |
| SF684 | GRW | SSLF940 | 10 |
| SF684 2Z | GRW | SSLF940ZZ | 10 |
| SF685 | GRW | SSLF1150 | 10 |
| SF685 2Z | GRW | SSLF1150ZZ | 10 |
| SF686 | GRW | SSLF1360 | 10 |
| SF686 2Z | GRW | SSLF1360ZZ | 10 |
| SF687 | GRW | SSLF1470 | 10 |
| SF687 2Z | GRW | SSLF1470ZZ | 10 |
| SF688 | GRW | SSLF1680 | 10 |
| SF689 | GRW | SSLF1790 | 10 |
| SF69/1.5 | GRW | SSRF515 | 10 |
| SF69/1.5 2Z | GRW | SSRF515ZZ | 10 |
| SF69/2.5 | GRW | SSRF725 | 10 |
| SF691 | GRW | SSRF410 | 10 |
| SF692 | GRW | SSRF620 | 10 |
| SF693 | GRW | SSRF830 | 10 |
| SF693 2Z | GRW | SSRF830ZZ | 10 |
| SF694 | GRW | SSRF1140 | 10 |
| SF694 2Z | GRW | SSRF1140ZZ | 10 |
| SF695 | GRW | SSRF1350 | 10 |
| SF695 2Z | GRW | SSRF1350ZZ | 10 |
| SF696 | GRW | SSRF1560 | 10 |
| SF696 2Z | GRW | SSRF1560ZZ | 10 |
| SF7938 | GRW | SSRIF8516 | 6 |
| SF7938 2Z | GRW | SSRIF8516ZZ | 6 |
| SFR0 | KUBAR | SSRIF2 1/2 | 6 |
| SFR0 | NHBB | SSRIF2 1/2 | 6 |
| SFR0HH | KUBAR | SSRIF2 1/2 | 6 |
| SFR0K | BARDEN | SSRIF2 1/2 | 6 |
| SFR0PP | NHBB | SSRIF2 1/2ZZ | 6 |
| SFR0SS | BARDEN | SSRIF2 1/2 | 6 |
| SFR1 | KUBAR | SSRIF-3 | 6 |
| SFR1 | NHBB | SSRIF-3 | 6 |
| SFR1-4 | KUBAR | SSRIF-4 | 6 |
| SFR1-4 | NHBB | SSRIF-4 | 6 |
| SFR1-4HH | KUBAR | SSRIF-4ZZ | 6 |
| SFR1-4K | BARDEN | SSRIF-4 | 6 |
| SFR1-4PP | NHBB | SSRIF-4ZZ | 6 |
| SFR1-4SS | BARDEN | SSRIF-4ZZ | 6 |
| SFR1-5 | KUBAR | SSRIF-5 | 6 |
| SFR1-5 | NHBB | SSRIF-5 | 6 |
| SFR1-5HH | KUBAR | SSRIF-5ZZ | 6 |
| SFR1-5K | BARDEN | SSRIF-5 | 6 |
| SFR1-5PP | NHBB | SSRIF-5ZZ | 6 |
| SFR1-5SS | BARDEN | SSRIF-5ZZ | 6 |
| SFR133 | KUBAR | SSRIF3332 | 6 |
| SFR133 | NHBB | SSRIF3332 | 6 |

| PART # | MANUF. | BL # | PAGE # |
|-----------|--------|-------------|--------|
| SFR133HH | KUBAR | SSRIF3332ZZ | 6 |
| SFR133K | BARDEN | SSRIF3332 | 6 |
| SFR133PP | NHBB | SSRIF3332ZZ | 6 |
| SFR133SS | BARDEN | SSRIF3332Z | 6 |
| SFR144 | KUBAR | SSRIF418 | 6 |
| SFR144 | NHBB | SSRIF418 | 6 |
| SFR144HH | KUBAR | SSRIF418ZZ | 6 |
| SFR144K | BARDEN | SSRIF418 | 6 |
| SFR144PP | NHBB | SSRIF418ZZ | 6 |
| SFR144SS | BARDEN | SSRIF418ZZ | 6 |
| SFR155 | KUBAR | SSRIF5532 | 6 |
| SFR155 | NHBB | SSRIF5532 | 6 |
| SFR155HH | KUBAR | SSRIF5532ZZ | 6 |
| SFR155K | BARDEN | SSRIF5532 | 6 |
| SFR155PP | NHBB | SSRIF5532ZZ | 6 |
| SFR155SS | BARDEN | SSRIF5532Z | 6 |
| SFR156 | KUBAR | SSRIF5632 | 6 |
| SFR156 | NHBB | SSRIF5632 | 6 |
| SFR156HH | KUBAR | SSRIF5632ZZ | 6 |
| SFR156K | BARDEN | SSRIF5632 | 6 |
| SFR156PP | NHBB | SSRIF5632ZZ | 6 |
| SFR156SS | BARDEN | SSRIF5632Z | 6 |
| SFR166 | KUBAR | SSRIF6632 | 6 |
| SFR166 | NHBB | SSRIF6632 | 6 |
| SFR166HH | KUBAR | SSRIF6632ZZ | 6 |
| SFR166PP | NHBB | SSRIF6632ZZ | 6 |
| SFR166SSW | BARDEN | SSRIF6632Z | 6 |
| SFR166W | BARDEN | SSRIF6632 | 6 |
| SFR168 | KUBAR | SSRIF614 | 6 |
| SFR168 | NHBB | SSRIF614 | 6 |
| SFR168HH | KUBAR | SSRIF614ZZ | 6 |
| SFR168K | BARDEN | SSRIF614 | 6 |
| SFR168PP | NHBB | SSRIF614ZZ | 6 |
| SFR168SS | BARDEN | SSRIF614ZZ | 6 |
| SFR1810 | NHBB | SSRIF8516 | 6 |
| SFR1810PP | NHBB | SSRIF8516ZZ | 6 |
| SFR188 | KUBAR | SSRIF814 | 6 |
| SFR188 | NHBB | SSRIF814 | 6 |
| SFR188HH | KUBAR | SSRIF814ZZ | 6 |
| SFR188PP | NHBB | SSRIF814ZZ | 6 |
| SFR188SSW | BARDEN | SSRIF814ZZ | 6 |
| SFR188W | BARDEN | SSRIF814 | 6 |
| SFR1HH | KUBAR | SSRIF-3 | 6 |
| SFR1PP | NHBB | SSRIF-3ZZ | 6 |
| SFR2 | KUBAR | SSFR2 | 6 |
| SFR2 | NHBB | SSFR2 | 6 |
| SFR2-5 | KUBAR | SSRIF518 | 6 |
| SFR2-5 | NHBB | SSRIF518 | 6 |
| SFR2-5HH | KUBAR | SSRIF518ZZ | 6 |
| SFR2-5K | BARDEN | SSRIF518 | 6 |
| SFR2-5PP | NHBB | SSRIF518ZZ | 6 |
| SFR2-5SS | BARDEN | SSRIF518ZZ | 6 |
| SFR2-6 | KUBAR | SSRIF618 | 6 |
| SFR2-6 | NHBB | SSRIF618 | 6 |
| SFR2-6HH | KUBAR | SSRIF618ZZ | 6 |

| PART # | MANUF. | BL # | PAGE # |
|------------|--------|----------------|--------|
| SFR2-6K | BARDEN | SSRIF618 | 6 |
| SFR2-6PP | NHBB | SSRIF618ZZ | 6 |
| SFR2-6SS | BARDEN | SSRIF618ZZ | 6 |
| SFR2HH | KUBAR | SSFR2 ZZ | 6 |
| SFR2K | BARDEN | SSFR2 | 6 |
| SFR2PP | NHBB | SSFR2 ZZ | 6 |
| SFR2SS | BARDEN | SSFR2 ZZ | 6 |
| SFR3 | KUBAR | SSFR3 | 6 |
| SFR3 | NHBB | SSFR3 | 6 |
| SFR3HH | KUBAR | SSFR3 ZZ | 6 |
| SFR3PP | NHBB | SSFR3 ZZ | 6 |
| SFR3SS | BARDEN | SSFR3 ZZ | 6 |
| SFR4 | KUBAR | SSFR4 | 6 |
| SFR4 | NHBB | SSFR4 | 6 |
| SFR4HH | KUBAR | SSFR4 ZZ | 6 |
| SFR4K | BARDEN | SSFR4 | 6 |
| SFR4PP | NHBB | SSFR4 ZZ | 6 |
| SFR4SS | BARDEN | SSFR4 ZZ | 6 |
| SFR6 | KUBAR | SSFR6 | 6 |
| SFR6 | NHBB | SSFR6 | 6 |
| SFR6HH | KUBAR | SSFR6 ZZ | 6 |
| SFR6K | BARDEN | SSFR6 | 6 |
| SFR6PP | NHBB | SSFR6 ZZ | 6 |
| SFR6SS | BARDEN | SSFR6 ZZ | 6 |
| SFR8 | NHBB | SSFR8 | 6 |
| SFR8PP | NHBB | SSFR8 ZZ | 6 |
| SFRW0 | BARDEN | SSRIF2 1/2EE | 8 |
| SFRWOSS | BARDEN | SSRIF2 1/2ZZEE | 8 |
| SFRW1 | BARDEN | SSRIF-3EE | 8 |
| SFRW1-4 | BARDEN | SSRIF-4EE | 8 |
| SFRW1-4SS | BARDEN | SSRIF-4ZZEE | 8 |
| SFRW1-5 | BARDEN | SSRIF-5EE | 8 |
| SFRW1-5SS | BARDEN | SSRIF-5ZZEE | 8 |
| SFRW133 | BARDEN | SSRIF3332EE | 8 |
| SFRW133SS | BARDEN | SSRIF3332ZZEE | 8 |
| SFRW144 | BARDEN | SSRIF418EE | 8 |
| SFRW144SS | BARDEN | SSRIF418ZZEE | 8 |
| SFRW15 | BARDEN | SSRIF5532EE | 8 |
| SFRW155SS | BARDEN | SSRIF5532ZZEE | 8 |
| SFRW156 | BARDEN | SSRIF5632EE | 8 |
| SFRW156SS | BARDEN | SSRIF5632ZZEE | 8 |
| SFRW166 | BARDEN | SSRIF6632EE | 8 |
| SFRW166SS | BARDEN | SSRIF6632ZZEE | 8 |
| SFRW168 | BARDEN | SSRIF614EE | 8 |
| SFRW168SS | BARDEN | SSRIF614ZZEE | 8 |
| SFRW1810 | BARDEN | SSRIF8516EE | 8 |
| SFRW1810SS | BARDEN | SSRIF8516ZZEE | 8 |
| SFRW188 | BARDEN | SSRIF814EE | 8 |
| SFRW188SS | BARDEN | SSRIF814ZZEE | 8 |
| SFRW1SS | BARDEN | SSRIF-3ZZEE | 8 |
| SFRW2 | BARDEN | SSFR2EE | 8 |
| SFRW2-5 | BARDEN | SSRIF518EE | 8 |
| SFRW2-5SS | BARDEN | SSRIF518ZZEE | 8 |
| SFRW2-6 | BARDEN | SSRIF618EE | 8 |
| SFRW2-6SS | BARDEN | SSRIF618ZZEE | 8 |

| PART # | MANUF. | BL # | PAGE # |
|--------------|--------|------------|--------|
| SFRW2SS | BARDEN | SSFR2ZZEE | 8 |
| SFRW3 | BARDEN | SSFR3EE | 8 |
| SFRW3SS | BARDEN | SSFR3ZZEE | 8 |
| SFRW4 | BARDEN | SSFR4EE | 8 |
| SFRW4SS | BARDEN | SSFR4ZZEE | 8 |
| SMF104 | EZO | SSLF1040 | 10 |
| SMF104ZZ | EZO | SSLF1040ZZ | 10 |
| SMF105 | EZO | SSLF1050 | 10 |
| SMF105ZZ | EZO | SSLF1050ZZ | 10 |
| SMF106 | EZO | SSLF1060 | 10 |
| SMF106ZZ | EZO | SSLF1060ZZ | 10 |
| SMF117 | EZO | SSLF1170 | 10 |
| SMF117ZZ | EZO | SSLF1170ZZ | 10 |
| SMF126 | EZO | SSLF1060 | 10 |
| SMF126ZZ | EZO | SSLF1260ZZ | 10 |
| SMF128 | EZO | SSLF1280 | 10 |
| SMF128ZZ | EZO | SSLF1280ZZ | 10 |
| SMF137 | EZO | SSLF1370 | 10 |
| SMF137ZZ | EZO | SSLF1370ZZ | 10 |
| SMF148 | EZO | SSLF1480 | 10 |
| SMF148ZZ | EZO | SSLF1480ZZ | 10 |
| SMF63 | EZO | SSLF630 | 10 |
| SMF63ZZ | EZO | SSLF630ZZ | 10 |
| SMF74 | EZO | SSLF740 | 10 |
| SMF74ZZ | EZO | SSLF740ZZ | 10 |
| SMF84 | EZO | SSLF840 | 10 |
| SMF84ZZ | EZO | SSLF840ZZ | 10 |
| SMF85 | EZO | SSLF850 | 10 |
| SMF85ZZ | EZO | SSLF850ZZ | 10 |
| SMF95 | EZO | SSLF950 | 10 |
| SMF95ZZ | EZO | SSLF950ZZ | 9 |
| SMR104 | EZO | SSL1040 | 9 |
| SMR104ZZ | EZO | SSL1040ZZ | 9 |
| SMR105 | EZO | SSL1050 | 9 |
| SMR105ZZ | EZO | SSL1050ZZ | 9 |
| SMR106 | EZO | SSL1060 | 9 |
| SMR106ZZ | EZO | SSL1060ZZ | 9 |
| SMR117 | EZO | SSL1170 | 9 |
| SMR117ZZ | EZO | SSL1170ZZ | 9 |
| SMR126 | EZO | SSL1260 | 9 |
| SMR126ZZ | EZO | SSL1260ZZ | 9 |
| SMR128 | EZO | SSL1280 | 9 |
| SMR128ZZ | EZO | SSL1280ZZ | 9 |
| SMR137 | EZO | SSL1370 | 9 |
| SMR137ZZ | EZO | SSL1370ZZ | 9 |
| SMR148 | EZO | SSL1480 | 9 |
| SMR148ZZ | EZO | SSL1480ZZ | 9 |
| SMR41X | EZO | SSR412 | 9 |
| SMR60/2.5 | FAG | SSR825 | 9 |
| SMR60/2.5.2Z | FAG | SSR825 ZZ | 9 |
| SMR607 | FAG | SS607 | 11 |
| SMR607.2Z | FAG | SS607 ZZ | 11 |
| SMR608 | FAG | SS608 | 11 |
| SMR608.2Z | FAG | SS608 ZZ | 11 |
| SMR619/2 | FAG | SSR620 | 9 |

| PART # | MANUF. | BL # | PAGE # |
|--------------|--------|-------------|--------|
| SMR619/2.2Z | FAG | SSR620ZZ | 9 |
| SMR623 | FAG | SS623 | 11 |
| SMR623.2Z | FAG | SS623 ZZ | 11 |
| SMR624 | FAG | SS624 | 11 |
| SMR624.2Z | FAG | SS624 ZZ | 11 |
| SMR625 | FAG | SS625 | 11 |
| SMR625.2Z | FAG | SS625 ZZ | 11 |
| SMR626 | FAG | SS626 | 11 |
| SMR626.2Z | FAG | SS626 ZZ | 11 |
| SMR627 | FAG | SS627 | 11 |
| SMR627.2Z | FAG | SS627 ZZ | 11 |
| SMR629 | FAG | SS629 | 11 |
| SMR629.2Z | FAG | SS629 ZZ | 11 |
| SMR63 | EZO | SSL630 | 9 |
| SMR634 | FAG | SS634 | 11 |
| SMR634.2Z | FAG | SS634 ZZ | 11 |
| SMR635 | FAG | SS635 | 11 |
| SMR635.2Z | FAG | SS635 ZZ | 11 |
| SMR63ZZ | EZO | SSL630ZZ | 9 |
| SMR69/1.5 | FAG | SSR515 | 9 |
| SMR69/1.5.2Z | FAG | SSR515ZZ | 9 |
| SMR74 | EZO | SSL740 | 9 |
| SMR74ZZ | EZO | SSL740ZZ | 9 |
| SMR84 | EZO | SSL840 | 9 |
| SMR84ZZ | EZO | SSL840ZZ | 9 |
| SMR85 | EZO | SSL850 | 9 |
| SMR85ZZ | EZO | SSL850ZZ | 9 |
| SMR95 | EZO | SSL950 | 9 |
| SMR95ZZ | EZO | SSL950ZZ | 9 |
| SRO | KUBAR | SSRI2 1/2 | 5 |
| SR0 | NHBB | SSRI2 1/2 | 5 |
| SR0308 | FAG | SSRI-2 | 5 |
| SR0310 | FAG | SSRI2 1/2 | 5 |
| SR0310.2Z | FAG | SSRI2 1/2Z | 5 |
| SR0412 | FAG | SSRI-3 | 5 |
| SR0412.2Z | FAG | SSRI-3ZZZ | 5 |
| SR0516 | FAG | SSRI-4 | 5 |
| SR0516.2Z | FAG | SSRI-4ZZ | 5 |
| SR0612 | FAG | SSRI3332 | 5 |
| SR0612.2Z | FAG | SSRI3332ZZ | 5 |
| SR0620 | FAG | SSRI-5 | 5 |
| SR0620.2Z | FAG | SSRI-5ZZ | 5 |
| SR0816 | FAG | SSRI418 | 5 |
| SR0816.2Z | FAG | SSRI418ZZ | 5 |
| SR0820 | FAG | SSRI518 | 5 |
| SR0820.2Z | FAG | SSRI518ZZ | 5 |
| SR0824 | FAG | SSRI618 | 5 |
| SR0824.2Z | FAG | SSRI618ZZ | 5 |
| SR09 | NHBB | SSRI-2 | 5 |
| SR0HH | KUBAR | SSRI2 1/2ZZ | 5 |
| SROK | BARDEN | SSRI2 1/2 | 5 |
| SROPP | NHBB | SSRI2 1/2ZZ | 5 |
| SROSS | BARDEN | SSRI2 1/2Z | 5 |
| SR1 | KUBAR | SSRI-3 | 5 |
| SR1 | NHBB | SSRI-3 | 5 |

| PART # | MANUF. | BL # | PAGE # |
|-----------|--------|------------|--------|
| SR1-4 | KUBAR | SSRI-4 | 5 |
| SR1-4 | NHBB | SSRI-4 | 5 |
| SR1-4HH | KUBAR | SSRI-4ZZ | 5 |
| SR1-4K | BARDEN | SSRI-4 | 5 |
| SR1-4PP | NHBB | SSRI-4ZZ | 5 |
| SR1-4SS | BARDEN | SSRI-4ZZ | 5 |
| SR1-5 | KUBAR | SSRI-5 | 5 |
| SR1-5 | NHBB | SSRI-5 | 5 |
| SR1-5HH | KUBAR | SSRI-5ZZ | 5 |
| SR1-5PP | NHBB | SSRI-5ZZ | 5 |
| SR1-5SS | BARDEN | SSRI-5ZZ | 5 |
| SR1020 | FAG | SSRI5532 | 5 |
| SR1020.2Z | FAG | SSRI5532ZZ | 5 |
| SR1220 | FAG | SSRI5632 | 5 |
| SR1220.2Z | FAG | SSRI5632ZZ | 5 |
| SR1224 | FAG | SSRI6632 | 5 |
| SR1224.2Z | FAG | SSRI6632ZZ | 5 |
| SR133 | KUBAR | SSRI3332 | 5 |
| SR133 | NHBB | SSRI3332 | 5 |
| SR133HH | KUBAR | SSRI3332ZZ | 5 |
| SR133K | BARDEN | SSRI3332 | 5 |
| SR133PP | NHBB | SSRI3332ZZ | 5 |
| SR133SS | BARDEN | SSRI3332ZZ | 5 |
| SR144 | KUBAR | SSRI418 | 5 |
| SR144 | NHBB | SSRI418 | 5 |
| SR144HH | KUBAR | SSRI418ZZ | 5 |
| SR144K | BARDEN | SSRI418 | 5 |
| SR144PP | NHBB | SSRI418ZZ | 5 |
| SR144SS | BARDEN | SSRI418ZZ | 5 |
| SR155 | KUBAR | SSRI5532 | 5 |
| SR155 | NHBB | SSRI5532 | 5 |
| SR155HH | KUBAR | SSRI5532ZZ | 5 |
| SR155K | BARDEN | SSRI5532 | 5 |
| SR155PP | NHBB | SSRI5532ZZ | 5 |
| SR155SS | BARDEN | SSRI5532ZZ | 5 |
| SR156 | KUBAR | SSRI5632 | 5 |
| SR156 | NHBB | SSRI5632 | 5 |
| SR156HH | KUBAR | SSRI5632ZZ | 5 |
| SR156K | BARDEN | SSRI5632 | 5 |
| SR156PP | NHBB | SSRI5632ZZ | 5 |
| SR156SS | BARDEN | SSRI5632ZZ | 5 |
| SR1624 | FAG | SSRI614 | 5 |
| SR1624.2Z | FAG | SSRI614ZZ | 5 |
| SR1632 | FAG | SSRI814 | 5 |
| SR1632.2Z | FAG | SSRI814ZZ | 5 |
| SR166 | KUBAR | SSRI6632 | 5 |
| SR166 | NHBB | SSRI6632 | 5 |
| SR166HH | KUBAR | SSRI6632ZZ | 5 |
| SR166K | BARDEN | SSRI6632 | 5 |
| SR166PP | NHBB | SSRI6632ZZ | 5 |
| SR166SS | BARDEN | SSRI6632ZZ | 5 |
| SR168 | KUBAR | SSRI614 | 5 |
| SR168 | NHBB | SSRI614 | 5 |
| SR168HH | KUBAR | SSRI614ZZ | 5 |
| SR168K | BARDEN | SSRI614 | 5 |

| PART # | MANUF. | BL # | PAGE # |
|-----------|--------|------------|--------|
| SR168PP | NHBB | SSRI614ZZ | 5 |
| SR168SS | BARDEN | SSRI614ZZ | 5 |
| SR1810 | NHBB | SSRI8516 | 5 |
| SR1810PP | NHBB | SSRI8516ZZ | 5 |
| SR188 | KUBAR | SSRI814 | 5 |
| SR188 | NHBB | SSRI814 | 5 |
| SR188HH | KUBAR | SSRI814ZZ | 5 |
| SR188PP | NHBB | SSRI814ZZ | 5 |
| SR188SS | BARDEN | SSRI814ZZ | 5 |
| SR188W | BARDEN | SSRI814 | 5 |
| SR1HH | KUBAR | SSRI-3ZZ | 5 |
| SR1K | BARDEN | SSRI-3 | 5 |
| SR1PP | NHBB | SSRI-3ZZ | 5 |
| SR1SS | BARDEN | SSRI-3ZZ | 5 |
| SR2 | FAG | SSR2 | 5 |
| SR2 | KUBAR | SSR2 | 5 |
| SR2 | NHBB | SSR2 | 5 |
| SR2.2Z | FAG | SSR2 ZZ | 5 |
| SR2-5 | KUBAR | SSRI518 | 5 |
| SR2-5 | NHBB | SSRI518 | 5 |
| SR2-5HH | KUBAR | SSRI518ZZ | 5 |
| SR2-5K | BARDEN | SSRI518 | 5 |
| SR2-5PP | NHBB | SSRI518ZZ | 5 |
| SR2-5SS | BARDEN | SSRI518ZZ | 5 |
| SR2-6 | KUBAR | SSRI618 | 5 |
| SR2-6 | NHBB | SSRI618 | 5 |
| SR2-6HH | KUBAR | SSRI618ZZ | 5 |
| SR2-6K | BARDEN | SSRI618 | 5 |
| SR2-6PP | NHBB | SSRI618ZZ | 5 |
| SR2-6SS | BARDEN | SSRI618ZZ | 5 |
| SR2032 | FAG | SSRI8516 | 5 |
| SR2032.2Z | FAG | SSRI8516ZZ | 5 |
| SR2A | BARDEN | SSR2A | 5 |
| SR2A | FAG | SSR2A | 5 |
| SR2A | KUBAR | SSR2A | 5 |
| SR2A.2Z | FAG | SSR2A ZZ | 5 |
| SR2AC | MPB | SSR2A | 5 |
| SR2ACHH | MPB | SSR2A ZZ | 5 |
| SR2AHH | KUBAR | SSR2A ZZ | 5 |
| SR2ASS | BARDEN | SSR2A ZZ | 5 |
| SR2C | MPB | SSR2 | 5 |
| SR2CE | MPB | SSR2EE | 7 |
| SR2CHH | MPB | SSR2 ZZ | 5 |
| SR2CHHE | MPB | SSR2ZZEE | 7 |
| SR2FC | MPB | SSFR2 | 6 |
| SR2FCE | MPB | SSFR2EE | 8 |
| SR2FCHH | MPB | SSFR2 ZZ | 6 |
| SR2FCHHE | MPB | SSFR2ZZEE | 8 |
| SR2HH | KUBAR | SSR2 ZZ | 5 |
| SR2K | BARDEN | SSR2 | 5 |
| SR2PP | NHBB | SSR2 ZZ | 5 |
| SR2PPC5 | NHBB | SSR2A ZZ | 5 |
| SR2SS | BARDEN | SSR2 ZZ | 5 |
| SR3 | FAG | SSR3 | 5 |
| SR3 | KUBAR | SSR3 | 5 |

| PART # | MANUF. | BL # | PAGE # |
|------------|--------|---------------|--------|
| SR3 | NHBB | SSR3 | 5 |
| SR3/32 ZZ | GRW | SSRIF-5ZZ | 6 |
| SR3.2Z | FAG | SSR3 ZZ | 5 |
| SR3CE | MPB | SSR3EE | 7 |
| SR3CHHE | MPB | SSR3ZZEE | 7 |
| SR3FCE | MPB | SSFR3EE | 8 |
| SR3FCHHE | MPB | SSFR3ZZEE | 8 |
| SR3FR | MPB | SSFR3 | 6 |
| SR3FRHH | MPB | SSFR3 ZZ | 6 |
| SR3HH | KUBAR | SSR3 ZZ | 5 |
| SR3K | BARDEN | SSR3 | 5 |
| SR3PP | NHBB | SSR3 ZZ | 5 |
| SR3R | MPB | SSR3 | 5 |
| SR3RHH | MPB | SSR3 ZZ | 5 |
| SR3SS | BARDEN | SSR3 ZZ | 5 |
| SR4 | FAG | SSR4 | 5 |
| SR4 | KUBAR | SSR4 | 5 |
| SR4 | NHBB | SSR4 | 5 |
| SR4.2Z | FAG | SSR4 ZZ | 5 |
| SR4A | BARDEN | SSR4A | 5 |
| SR4A | FAG | SSR4A | 5 |
| SR4A | KUBAR | SSR4A | 5 |
| SR4A.2Z | FAG | SSR4A ZZ | 5 |
| SR4ASS | BARDEN | SSR4A ZZ | 5 |
| SR4CE | MPB | SSR4EE | 7 |
| SR4CHHE | MPB | SSR4ZZEE | 7 |
| SR4FCE | MPB | SSFR4EE | 8 |
| SR4FCHHE | MPB | SSFR4ZZEE | 8 |
| SR4FR | MPB | SSFR4 | 6 |
| SR4FRHH | MPB | SSFR4 ZZ | 6 |
| SR4HH | KUBAR | SSR4 ZZ | 5 |
| SR4K | BARDEN | SSR4 | 5 |
| SR4PP | NHBB | SSR4 ZZ | 5 |
| SR4R | MPB | SSR4 | 5 |
| SR4RHH | MPB | SSR4 ZZ | 5 |
| SR4SS | BARDEN | SSR4 ZZ | 5 |
| SR6 | FAG | SSR6 | 5 |
| SR6 | KUBAR | SSR6 | 5 |
| SR6.2Z | FAG | SSR6 ZZ | 5 |
| SR6HH | KUBAR | SSR6 ZZ | 5 |
| SR6K | BARDEN | SSR6 | 5 |
| SR6SS | BARDEN | SSR6 ZZ | 5 |
| SR8 | FAG | SSR8 | 5 |
| SR8.2Z | FAG | SSR8 ZZ | 5 |
| SR8K | BARDEN | SSR8 | 5 |
| R8SS | BARDEN | SSR8 ZZ | 5 |
| SRE0310 | FAG | SSRI-2 1/2EE | 7 |
| SRE0310.2Z | FAG | SSRI2 1/2ZZEE | 7 |
| SRE0412 | FAG | SSRI-3EE | 7 |
| SRE0412.2Z | FAG | SSRI-3ZZEE | 7 |
| SRE0516 | FAG | SSRI-4EE | 7 |
| SRE0516.2Z | FAG | SSRI-4ZZEE | 7 |
| SRE0612 | FAG | SSRI3332EE | 7 |
| SRE0612.2Z | FAG | SSRI3332ZZEE | 7 |
| SRE0620 | FAG | SSRI-5EE | 7 |

| PART # | MANUF. | BL # | PAGE # |
|------------|--------|--------------|--------|
| SRE0620.2Z | FAG | SSRI-5ZZEE | 7 |
| SRE0816 | FAG | SSRI418EE | 7 |
| SRE0816.2Z | FAG | SSRI418ZZEE | 7 |
| SRE0820 | FAG | SSRI518EE | 7 |
| SRE0820.2Z | FAG | SSRI518ZZEE | 7 |
| SRE0824 | FAG | SSRI618EE | 7 |
| SRE1020 | FAG | SSRI5532EE | 7 |
| SRE1020.2Z | FAG | SSRI5532ZZEE | 7 |
| SRE1220 | FAG | SSRI5632EE | 7 |
| SRE1220.2Z | FAG | SSRI5632ZZEE | 7 |
| SRE1224 | FAG | SSRI6632EE | 7 |
| SRE1224.2Z | FAG | SSRI6632ZZEE | 7 |
| SRE1624 | FAG | SSRI614EE | 7 |
| SRE1624.2Z | FAG | SSRI614ZZEE | 7 |
| SRE1632 | FAG | SSRI814EE | 7 |
| SRE1632.2Z | FAG | SSRI814ZZEE | 7 |
| SRE2 | FAG | SSR2EE | 7 |
| SRE2.2Z | FAG | SSR2ZZEE | 7 |
| SRE2032 | FAG | SSRI8516EE | 7 |
| SRE2032.2Z | FAG | SSRI8516ZZEE | 7 |
| SRE824.2Z | FAG | SSRI618ZZEE | 7 |
| SRF0310 | FAG | SSRIF2 1/2 | 6 |
| SRF0310 2Z | FAG | SSRIF2 1/2ZZ | 6 |
| SRF0412 | FAG | SSRIF-3 | 6 |
| SRF0412 2Z | FAG | SSRIF-3ZZ | 6 |
| SRF0516 | FAG | SSRIF-4 | 6 |
| SRF0516 2Z | FAG | SSRIF-4ZZ | 6 |
| SRF0612 | FAG | SSRIF3332 | 6 |
| SRF0612 2Z | FAG | SSRIF3332ZZ | 6 |
| SRF0620 | FAG | SSRIF-5 | 6 |
| SRF0620 2Z | FAG | SSRIF-5ZZ | 6 |
| SRF0816 | FAG | SSRIF418 | 6 |
| SRF0816 2Z | FAG | SSRIF418ZZ | 6 |
| SRF0820 | FAG | SSRIF518 | 6 |
| SRF0820 2Z | FAG | SSRIF518ZZ | 6 |
| SRF0824 | FAG | SSRIF618 | 6 |
| SRF0824 2Z | FAG | SSRIF618ZZ | 6 |
| SRF1020 | FAG | SSRIF5532 | 6 |
| SRF1020 2Z | FAG | SSRIF5532ZZ | 6 |
| SRF1220 | FAG | SSRIF5632 | 6 |
| SRF1220 2Z | FAG | SSRIF5632ZZ | 6 |
| SRF1224 | FAG | SSRIF6632 | 6 |
| SRF1224 2Z | FAG | SSRIF6632ZZ | 6 |
| SRF1624 | FAG | SSRIF614 | 6 |
| SRF1624 2Z | FAG | SSRIF614ZZ | 6 |
| SRF1632 | FAG | SSRIF814 | 6 |
| SRF1632 2Z | FAG | SSRIF814ZZ | 6 |
| SRF1K | BARDEN | SSRIF-3 | 6 |
| SRF1SS | BARDEN | SSRIF-3ZZ | 6 |
| SRF2 | FAG | SSFR2 | 6 |
| SRF2 2Z | FAG | SSFR2ZZ | 6 |
| SRF2032 | FAG | SSRIF8516 | 6 |
| SRF2032 2Z | FAG | SSRIF8516ZZ | 6 |
| SRF3 | FAG | SSFR3 | 6 |
| SRF3 2Z | FAG | SSFR3 ZZ | 6 |

| PART # | MANUF. | BL # | PAGE # |
|-------------|--------|-----------------|--------|
| SRF4 | FAG | SSFR4 | 6 |
| SRF4 2Z | FAG | SSFR4 ZZ | 6 |
| SRF6 | FAG | SSFR6 | 6 |
| SRF6 2Z | FAG | SSFR6 ZZ | 6 |
| SRF8 | FAG | SSFR8 | 6 |
| SRF8 2Z | FAG | SSFR8ZZ | 6 |
| SRFE0310 | FAG | SSRIF2 1/2 EE | 8 |
| SRFE0310.2Z | FAG | SSRIF2 1/2 EEZZ | 8 |
| SRFE0412 | FAG | SSRIF-3EE | 8 |
| SRFE0412.2Z | FAG | SSRIF-3ZZEE | 8 |
| SRFE0516 | FAG | SSRIF-4EE | 8 |
| SRFE0516.2Z | FAG | SSRIF-4ZZEE | 8 |
| SRFE0612 | FAG | SSRIF3332EE | 8 |
| SRFE0612.2Z | FAG | SSRIF3332ZZEE | 8 |
| SRFE0620 | FAG | SSRIF-5EE | 8 |
| SRFE0620.2Z | FAG | SSRIF-5ZZEE | 8 |
| SRFE0816 | FAG | SSRIF418EE | 8 |
| SRFE0816.2Z | FAG | SSRIF418ZZEE | 8 |
| SRFE0820 | FAG | SSRIF518EE | 8 |
| SRFE0820.2Z | FAG | SSRIF518ZZEE | 8 |
| SRFE0824 | FAG | SSRIF618EE | 8 |
| SRFE0824.2Z | FAG | SSRIF618ZZEE | 8 |
| SRFE1020 | FAG | SSRIF5532EE | 8 |
| SRFE1020.2Z | FAG | SSRIF5532ZZEE | 8 |
| SRFE1220 | FAG | SSRIF5632EE | 8 |
| SRFE1220.2Z | FAG | SSRIF5632ZZEE | 8 |
| SRFE1224 | FAG | SSRIF6632EE | 8 |
| SRFE1224.2Z | FAG | SSRIF6632ZZEE | 8 |
| SRFE1624 | FAG | SSRIF614EE | 8 |
| SRFE1624.2Z | FAG | SSRIF614ZZEE | 8 |
| SRFE1632 | FAG | SSRIF814EE | 8 |
| SRFE1632.2Z | FAG | SSRIF814ZZEE | 8 |
| SRFE2 | FAG | SSFR2EE | 8 |
| SRFE2.2Z | FAG | SSFR2ZZEE | 8 |
| SRFE2032 | FAG | SSRIF8516EE | 8 |
| SRFE2032.2Z | FAG | SSRIF8516ZZEE | 8 |
| SRI-5K | BARDEN | SSRI-5 | 5 |
| SRW0 | BARDEN | SSRI-2 1/2EE | 7 |
| SRW0SS | BARDEN | SSRI2 1/2ZZEE | 7 |
| SRW1 | BARDEN | SSRI-3EE | 7 |
| SRW1-4 | BARDEN | SSRI-4EE | 7 |
| SRW1-4SS | BARDEN | SSRI-4ZZEE | 7 |
| SRW1-5 | BARDEN | SSRI-5EE | 7 |
| SRW1-5SS | BARDEN | SSRI-5ZZEE | 7 |
| SRW133 | BARDEN | SSRI3332EE | 7 |
| RW133SS | BARDEN | SSRI3332ZZEE | 7 |
| SRW144 | BARDEN | SSRI418EE | 7 |
| SRW144SS | BARDEN | SSRI418ZZEE | 7 |
| SRW155 | BARDEN | SSRI5532EE | 7 |
| SRW155SS | BARDEN | SSRI5532ZZEE | 7 |
| SRW156 | BARDEN | SSRI5632EE | 7 |
| SRW156SS | BARDEN | SSRI5632ZZEE | 7 |
| SRW166 | BARDEN | SSRI6632EE | 7 |
| SRW166SS | BARDEN | SSRI6632ZZEE | 7 |
| SRW168 | BARDEN | SSRI614EE | 7 |

| PART # | MANUF. | BL # | PAGE # |
|------------|--------|--------------|--------|
| SRW168SS | BARDEN | SSRI614ZZEE | 7 |
| SRW1810 | BARDEN | SSRI8516EE | 7 |
| SRW1810SS | BARDEN | SSRI8516ZZEE | 7 |
| SRW188 | BARDEN | SSRI814EE | 7 |
| SRW188SS | BARDEN | SSRI814ZZEE | 7 |
| SRW1SS | BARDEN | SSRI-3ZZEE | 7 |
| SRW2 | BARDEN | SSR2EE | 7 |
| SRW2-5 | BARDEN | SSRI518EE | 7 |
| SRW2-5SS | BARDEN | SSRI518ZZEE | 7 |
| SRW2-6 | BARDEN | SSRI618EE | 7 |
| SRW2-6SS | BARDEN | SSRI618ZZEE | 7 |
| SRW2SS | BARDEN | SSR2ZZEE | 7 |
| SRW3 | BARDEN | SSR3EE | 7 |
| SRW3SS | BARDEN | SSR3ZZEE | 7 |
| SRW4 | BARDEN | SSR4EE | 7 |
| SRW4SS | BARDEN | SSR4ZZEE | 7 |
| SS77NR2 | ND | SSFR2 ZZ | 6 |
| SS77NR4D | ND | SSFR4 ZZ | 6 |
| SS77NR6D | ND | SSFR6 ZZ | 6 |
| SS77R2 | ND | SSR2 ZZ | 5 |
| SS77R2A | ND | SSR2A ZZ | 5 |
| SS77R3 | ND | SSR3 ZZ | 5 |
| SS77R3 | ND | SSR3 ZZ | 5 |
| SS77R4 | ND | SSR4 ZZ | 5 |
| SS77R4A | ND | SSR4A ZZ | 5 |
| SS77R6 | ND | SSR6 ZZ | 5 |
| SS77R8 | ND | SSR8 ZZ | 5 |
| SSNR2 | ND | SSFR2 | 6 |
| SSNR3 | ND | SSFR3 | 6 |
| SSNR4 | ND | SSFR4 | 6 |
| SSNR6 | ND | SSFR6 | 6 |
| SSR2 | ND | SSR2 | 5 |
| SSR2A | ND | SSR2A | 5 |
| SSR2EE | NHBB | SSR2EE | 7 |
| SSR2ZZEE | NHBB | SSR2ZZEE | 7 |
| SSR3 | ND | SSR3 | 5 |
| SSR3EE | NHBB | SSR3EE | 7 |
| SSR3ZZEE | NHBB | SSR3ZZEE | 7 |
| SSR4 | ND | SSR4 | 5 |
| SSR4A | ND | SSR4A | 5 |
| SSR4EE | NHBB | SSR4EE | 7 |
| SSR4ZZEE | NHBB | SSR4ZZEE | 7 |
| SSR6 | ND | SSR6 | 5 |
| SSR8 | ND | SSR8 | 5 |
| SSRF2EE | NHBB | SSFR2EE | 8 |
| SSRF2ZZEE | NHBB | SSFR2ZZEE | 8 |
| SSRF3EE | NHBB | SSFR3EE | 8 |
| SSRF3ZZEE | NHBB | SSFR3ZZEE | 8 |
| SSRF4EE | NHBB | SSFR4EE | 8 |
| SSRF4ZZEE | NHBB | SSFR4ZZEE | 8 |
| SSRI-2EE | NHBB | SSRI-2EE | 7 |
| SSRI-2ZZEE | NHBB | SSRI-2ZZEE | 7 |
| SSRI-3EE | NHBB | SSRI-3EE | 7 |
| SSRI-3ZZEE | NHBB | SSRI-3ZZEE | 7 |
| SSRI-4EE | NHBB | SSRI-4EE | 7 |

| PART # | MANUF. | BL # | PAGE # |
|----------------|--------|----------------|--------|
| SSRI-4ZZEE | NHBB | SSRI-4ZZEE | 7 |
| SSRI-5EE | NHBB | SSRI-5EE | 7 |
| SSRI-5ZZEE | NHBB | SSRI-5ZZEE | 7 |
| SSRI2 1/2EE | NHBB | SSRI-2 1/2EE | 7 |
| SSRI2 1/2ZZEE | NHBB | SSRI2 1/2ZZEE | 7 |
| SSRI3332EE | NHBB | SSRI3332EE | 7 |
| SSRI3332ZZEE | NHBB | SSRI3332ZZEE | 7 |
| SSRI418EE | NHBB | SSRI418EE | 7 |
| SSRI418ZZEE | NHBB | SSRI418ZZEE | 7 |
| SSRI518EE | NHBB | SSRI518EE | 7 |
| SSRI518ZZEE | NHBB | SSRI518ZZEE | 7 |
| SSRI5532EE | NHBB | SSRI5532EE | 7 |
| SSRI5532ZZEE | NHBB | SSRI5532ZZEE | 7 |
| SSRI5632EE | NHBB | SSRI5632EE | 7 |
| SSRI5632ZZEE | NHBB | SSRI5632ZZEE | 7 |
| SSRI614EE | NHBB | SSRI614EE | 7 |
| SSRI614ZZEE | NHBB | SSRI614ZZEE | 7 |
| SSRI618EE | NHBB | SSRI618EE | 7 |
| SSRI618ZZEE | NHBB | SSRI618ZZEE | 7 |
| SSRI6632EE | NHBB | SSRI6632EE | 7 |
| SSRI6632ZZEE | NHBB | SSRI6632ZZEE | 7 |
| SSRI814EE | NHBB | SSRI814EE | 7 |
| SSRI814ZZEE | NHBB | SSRI814ZZEE | 7 |
| SSRI8516EE | NHBB | SSRI8516EE | 7 |
| SSRI8516ZZEE | NHBB | SSRI8516ZZEE | 7 |
| SSRIF-2EE | NHBB | SSRIF-2EE | 8 |
| SSRIF-2ZZEE | NHBB | SSRIF-2ZZEE | 8 |
| SSRIF-3EE | NHBB | SSRIF-3EE | 8 |
| SSRIF-3ZZEE | NHBB | SSRIF-3ZZEE | 8 |
| SSRIF-4EE | NHBB | SSRIF-4EE | 8 |
| SSRIF-4ZZEE | NHBB | SSRIF-4ZZEE | 8 |
| SSRIF-5EE | NHBB | SSRIF-5EE | 8 |
| SSRIF-5ZZEE | NHBB | SSRIF-5ZZEE | 8 |
| SSRIF2 1/2EE | NHBB | SSRIF2 1/2EE | 8 |
| SSRIF2 1/2ZZEE | NHBB | SSRIF2 1/2ZZEE | 8 |
| SSRIF3332EE | NHBB | SSRIF3332EE | 8 |
| SSRIF3332ZZEE | NHBB | SSRIF3332ZZEE | 8 |
| SSRIF418EE | NHBB | SSRIF418EE | 8 |
| SSRIF418ZZEE | NHBB | SSRIF418ZZEE | 8 |
| SSRIF518EE | NHBB | SSRIF518EE | 8 |
| SSRIF518ZZEE | NHBB | SSRIF518ZZEE | 8 |
| SSRIF5532EE | NHBB | SSRIF5532EE | 8 |
| SSRIF5532ZZEE | NHBB | SSRIF5532ZZEE | 8 |
| SSRIF5632EE | NHBB | SSRIF5632EE | 8 |
| SSRIF5632ZZEE | NHBB | SSRIF5632ZZEE | 8 |
| SSRIF614EE | NHBB | SSRIF614EE | 8 |
| SSRIF614ZZEE | NHBB | SSRIF614ZZEE | 8 |
| SSRIF618EE | NHBB | SSRIF618EE | 8 |
| SSRIF618ZZEE | NHBB | SSRIF618ZZEE | 8 |
| SSRIF6632EE | NHBB | SSRIF6632EE | 8 |
| SSRIF6632ZZEE | NHBB | SSRIF6632ZZEE | 8 |
| SSRIF814EE | NHBB | SSRIF814EE | 8 |
| SSRIF814ZZEE | NHBB | SSRIF814ZZEE | 8 |
| SSRIF8516EE | NHBB | SSRIF8516EE | 8 |
| SSRIF8516ZZEE | NHBB | SSRIF8516ZZEE | 8 |

| PART # | MANUF. | BL # | PAGE # |
|------------|--------|------------|--------|
| UL1304X | RMB | SSRI-2 | 5 |
| UL1505X | RMB | SSRI2 1/2 | 5 |
| UL3006X | RMB | SSRI3332 | 5 |
| UL4008X | RMB | SSRI418 | 5 |
| UL5010X | RMB | SSRI5532 | 5 |
| UL6010X | RMB | SSRI5632 | 5 |
| UL6012X | RMB | SSRI6632 | 5 |
| UL8012X | RMB | SSRI614 | 5 |
| UL8016X | RMB | SSR3 | 5 |
| ULK1505X | RMB | SSRIF2 1/2 | 6 |
| ULK3006X | RMB | SSRIF3332 | 6 |
| ULK4008X | RMB | SSRIF418 | 6 |
| ULK5010X | RMB | SSRIF5532 | 6 |
| ULK6010X | RMB | SSRIF5632 | 6 |
| ULK6012X | RMB | SSRIF6632 | 6 |
| ULK8012X | RMB | SSRIF614 | 6 |
| ULKZ4008X | RMB | SSRIF418ZZ | 6 |
| ULKZ5010X | RMB | SSRIF5532Z | 6 |
| ULKZ6010X | RMB | SSRIF5632Z | 6 |
| ULKZ6012X | RMB | SSRIF6632Z | 6 |
| ULKZ8012X | RMB | SSRIF814ZZ | 6 |
| ULZ1505X | RMB | SSRI2 1/2 | 5 |
| ULZ4008X | RMB | SSRI418ZZ | 5 |
| ULZ5010X | RMB | SSRI5532ZZ | 5 |
| ULZ6010X | RMB | SSRI5632ZZ | 5 |
| ULZ6012X | RMB | SSRI6632ZZ | 5 |
| ULZ8012X | RMB | SSRI614ZZ | 5 |
| ULZ8016X | RMB | SSRI814ZZ | 5 |
| W60/1.5ZZA | NTN | R615ZZ | 9 |
| W60/2.5 | ADR | SSR825 | 9 |
| W60/2.5ZZA | NTN | R825ZZ | 9 |
| W602ZZA | NTN | R720ZZ | 9 |
| W603ZZ | NTN | R930ZZ | 9 |
| W604 | ADR | SSR1240 | 9 |
| W604ZZ | ADR | SSR1240ZZ | 9 |
| W607 | ADR | SS607 | 11 |
| W607ZZ | ADR | SS607 ZZ | 11 |
| W608 | ADR | SS608 | 11 |
| W608ZZ | ADR | SS608 ZZ | 11 |
| W617/3 | ADR | SSL630 | 9 |
| W617/4 | ADR | SSL740 | 9 |
| W617/5 | ADR | SSL850 | 9 |
| W617/6 | ADR | SSL1060 | 9 |
| W617/7 | ADR | SSL1170 | 9 |
| W617/8 | ADR | SSL1280 | 9 |
| W619/1.5 | ADR | SSR515 | 9 |
| W619/3 | ADR | SSR830 | 9 |
| W623 | ADR | SS623 | 11 |
| W623ZZ | ADR | SS623 ZZ | 11 |
| W624 | ADR | SS624 | 11 |
| W624ZZ | ADR | SS624 ZZ | 11 |
| W625 | ADR | SS625 | 11 |
| W625ZZ | ADR | SS625 ZZ | 11 |
| W626 | ADR | SS626 | 11 |
| W626ZZ | ADR | SS626 ZZ | 11 |

| PART # | MANUF. | BL # | PAGE # |
|------------|--------|------------|--------|
| W627 | ADR | SS627 | 11 |
| W627ZZ | ADR | SS627 ZZ | 11 |
| W628/6ZZ | ADR | SSL1360ZZ | 9 |
| W629 | ADR | SS629 | 11 |
| W629ZZ | ADR | SS629 ZZ | 11 |
| W634 | ADR | SS634 | 11 |
| W634ZZ | ADR | SS634 ZZ | 11 |
| W637/8ZZ | ADR | SSL1280ZZ | 9 |
| W638/4ZZ | ADR | SSL940ZZ | 9 |
| W638/5ZZ | ADR | SSL1150ZZ | 9 |
| W639/3ZZ | ADR | SSR830ZZ | 9 |
| W673ZZA | NTN | L630ZZA | 9 |
| W68/1.5ZZA | NTN | L415ZZ | 9 |
| W68/2.5ZZA | NTN | L625ZZ | 9 |
| W682ZZA | NTN | L520ZZ | 9 |
| W683ZZA | NTN | L730ZZ | 9 |
| W684ZZ | NTN | L940ZZ | 9 |
| W685ZZ | NTN | L1150ZZ | 9 |
| W686ZZ | NTN | L1360ZZ | 9 |
| W687ZZ | NTN | L1470ZZ | 9 |
| W688ZZ | NTN | L1680ZZ | 9 |
| W689ZZ | NTN | L1790ZZ | 9 |
| W69/1.5ZZA | NTN | R515ZZ | 9 |
| W69/2.5ZZA | NTN | R725ZZ | 9 |
| W692ZZA | NTN | R620ZZ | 9 |
| W693ZZ | NTN | R830ZZ | 9 |
| WAX1 | ADR | SSL310 | 9 |
| WAX1.5 | ADR | SSL415 | 9 |
| WAX1.5ZZ | ADR | SSL415ZZ | 9 |
| WAX2.5 | ADR | SSL625 | 9 |
| WAX2.5ZZ | ADR | SSL625ZZ | 9 |
| WAX2ZZ | ADR | SSR620ZZ | 9 |
| WAX3 | ADR | SSL730 | 9 |
| WAX3ZZ | ADR | SSL730ZZ | 9 |
| WAX4 | ADR | SSL940 | 9 |
| WAX6 | ADR | SSL1360 | 9 |
| WAX7 | ADR | SSL1470 | 9 |
| WAX7ZZ | ADR | SSL1470ZZ | 9 |
| WAY4 | ADR | SSR1140 | 9 |
| WAY4ZZ | ADR | SSR1140ZZ | 9 |
| WAY5 | ADR | SSR1350 | 9 |
| WAY5ZZ | ADR | SSR1350ZZ | 9 |
| WAY6 | ADR | SSR1560 | 9 |
| WAY6ZZ | ADR | SSR1560ZZ | 9 |
| WAY9 | ADR | SSL2090 | 9 |
| WAY9ZZ | ADR | SSL2090ZZ | 9 |
| WBX2 | ADR | SSL520 | 9 |
| WBX2ZZ | ADR | SSL520ZZ | 9 |
| WF619/1.5 | ADR | SSRF515 | 10 |
| WF623 | ADR | SSF623 | 12 |
| WF623ZZ | ADR | SSF623 ZZ | 12 |
| WF624ZZ | ADR | SSF624 ZZ | 12 |
| WF628/6ZZ | ADR | SSLF1360ZZ | 10 |
| WF638/4ZZ | ADR | SSLF1040ZZ | 10 |
| WF638/5ZZ | ADR | SSLF1150ZZ | 10 |

| PART # | MANUF. | BL # | PAGE # |
|-----------|--------|------------|--------|
| WFAX1.5 | ADR | SSLF415 | 10 |
| WFAX2 | ADR | SSRF620 | 10 |
| WFAX2.5 | ADR | SSLF625 | 10 |
| WFAX2.5ZZ | ADR | SSLF625ZZ | 10 |
| WFAX2ZZ | ADR | SSRF620ZZ | 10 |
| WFAX3 | ADR | SSLF730 | 10 |
| WFAX3ZZ | ADR | SSLF730ZZ | 10 |
| WFAX4 | ADR | SSLF1040ZZ | 10 |
| WFAX6 | ADR | SSLF1360 | 10 |
| WFAX7 | ADR | SSLF1470 | 10 |
| WFAX7ZZ | ADR | SSLF1470ZZ | 10 |
| WFBX2 | ADR | SSLF520 | 10 |
| WFBX2ZZ | ADR | SSLF520ZZ | 10 |
| WFX2.5 | ADR | SSRF725 | 10 |
| WFX2.5ZZ | ADR | SSRF725ZZ | 10 |
| WFX3 | ADR | SSRF830 | 10 |
| WFX3ZZ | ADR | SSRF830ZZ | 10 |
| WFX5 | ADR | SSLF1150 | 10 |
| WFX8 | ADR | SSLF1680 | 10 |
| WX1.5ZZ | ADR | SSR515ZZ | 9 |
| WX10 | ADR | SSL1910ZZ | 9 |
| WX2.5 | ADR | SSR725 | 9 |
| WX4 | ADR | SSL1040 | 9 |
| WX4ZZ | ADR | SSL1040ZZ | 9 |
| WX5 | ADR | SSL1150 | 9 |
| WX6 | ADR | SSL1260 | 9 |
| WX6ZZ | ADR | SSL1260ZZ | 9 |
| WX8 | ADR | SSL1680 | 9 |
| WX8ZZ | ADR | SSL1680ZZ | 9 |
| WX9 | ADR | SSL1790 | 9 |
| WX9ZZ | ADR | SSL1790ZZ | 9 |
| X1.5ZZ | ADR | R515ZZ | 9 |
| X10 | ADR | L1910ZZ | 9 |
| X2.5 | ADR | R725 | 9 |
| X4 | ADR | L1040 | 9 |
| X4ZZ | ADR | L1040ZZ | 9 |
| X5 | ADR | L1150 | 9 |
| X6 | ADR | L1260 | 9 |
| X6ZZ | ADR | L1260ZZ | 9 |
| X8 | ADR | L1680 | 9 |
| X8ZZ | ADR | L1680ZZ | 9 |
| X9 | ADR | L1790 | 9 |
| X9ZZ | ADR | L1790ZZ | 9 |
| | | | |
| | | | |



BL Precision Bearings

MINIATURE & INSTRUMENT PRECISION BALL BEARINGS

Available from **MARYLAND METRICS**
P.O. Box 261 Owings Mills, MD 21117 USA
ph: (410)358-3130 (800)638-1830
fx: (410)358-3142 (800)872-9329
web: <http://mdmetric.com>
email: sales@mdmetric.com
RFQ form: <http://mdmetric.com/rfq.htm>

How to order products from this catalog:
Please prefix the bearing part number with 'R701-'
examples: R701-SSL310 or R701-SSLF415